

Warning: When the chassis number on the Adpro Equipment is set to a non zero value the external Programmer and the front panel keyboard are disabled.
 Make sure all necessary basic setup is done prior to changing the chassis number.

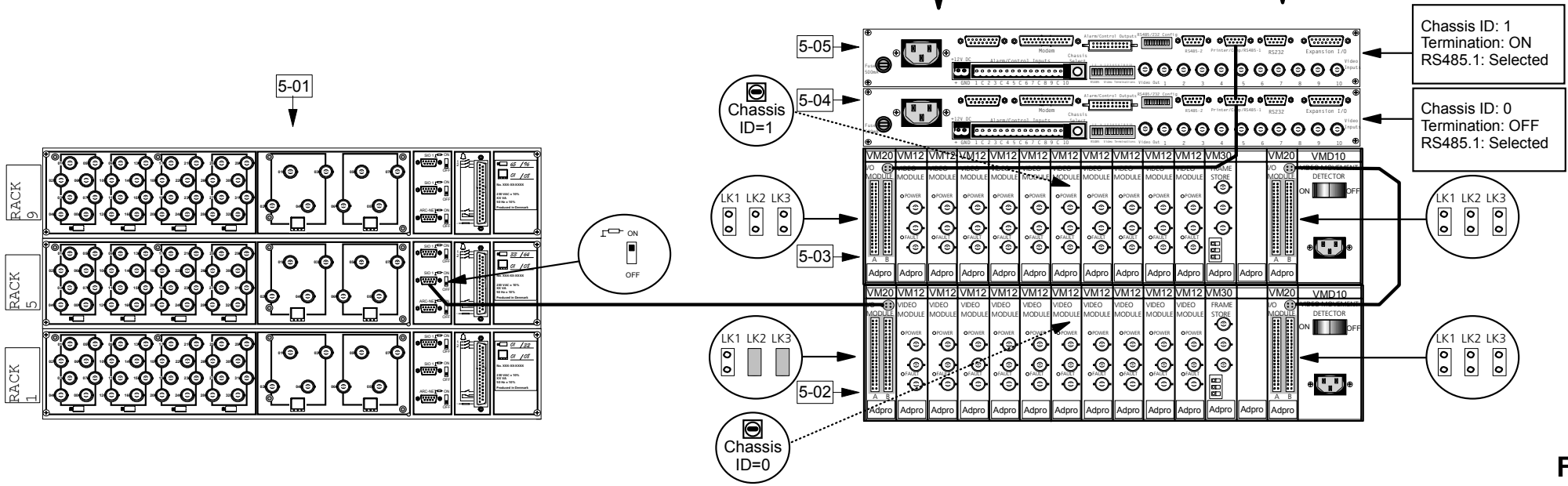
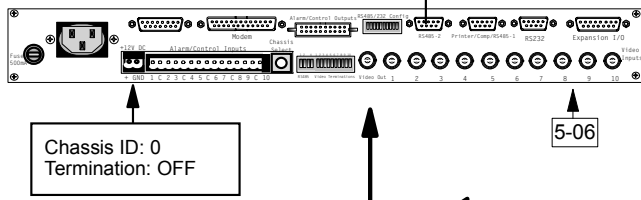


Fig. 5