

## Keyboard numbering

1 = INTERNAL (front plate).

2 = RS-232 interface on SIO 1.

3 = RS-232 interface on SIO 2.

SYSTEM 1000M: 3-10 = ARC-net and/or RS-485 port.

SYSTEM 500M: 3-6 = RS-485.

Default keyboard priority follows the keyboard number, i.e. the INTERNAL keyboard has the highest priority.

**Note:** Make sure not to allocate the same number to more than one keyboard.

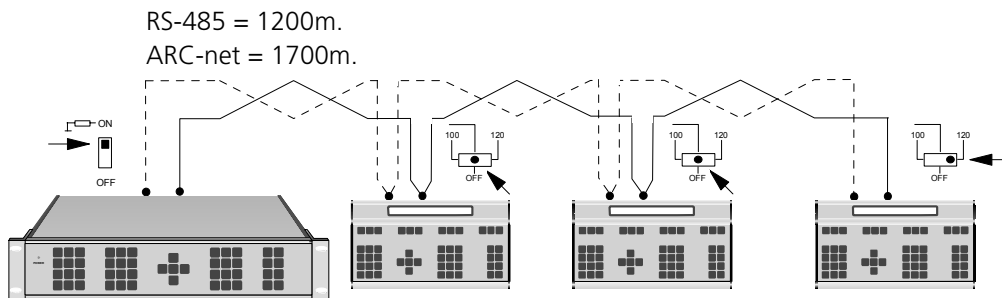


Fig. 2

### \*Note RS-485 and ARC-net:

It is recommended NOT to connect the ground signal, to avoid possible ground loop problems.

## 1500M/ 1501M

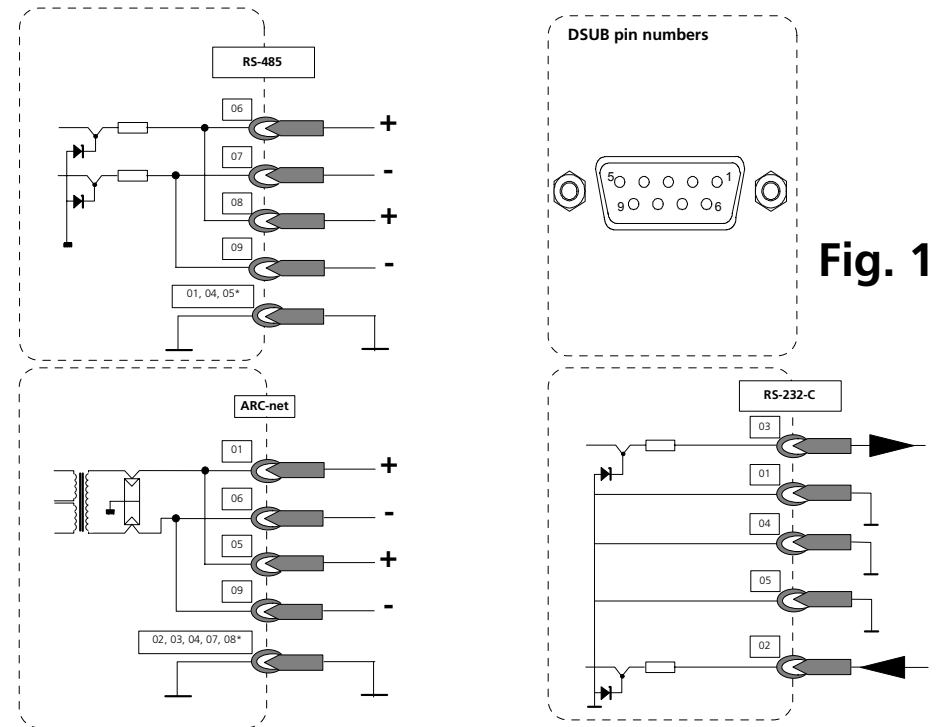
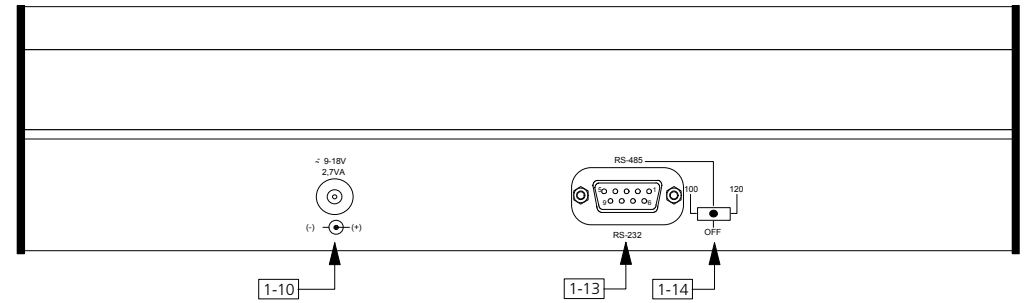


Fig. 1

## 1502M/ 1503M

