



## Ultra Wide Dynamic Range

### Hawk DX Series

- 60fps 720P Version
- 60fps 1080p Version
- Ultra WDR 100dB
- Motorised P-Iris Lens
- Auto Focus
- 30M IR
- POE + (IEEE 802.3at)
- Quad Stream @ full HD 30fps
- OnVif
- 4 year Warranty

### Hi-Performance

The Hawk DX Series incorporates Sony's new Exmor™ CMOS image sensor with 60 frames per second which is specially designed for security applications and includes state-of-the-art image enhancement technologies offering excellent colour reproduction.

### Ultra WDR

The Hawk DX range also offers the latest multi shuttering Ultra-Wide Dynamic Range feature making this range ideal for surveillance in areas with strong variations in light, for instance close to large windows and entrances or where the sunlight creates both very bright zones and dark shadows.

### Motorised P-Iris Lens

Remote zoom and focus feature enables convenient focusing over the network together with the special P-Iris lens, eliminating the need for hands-on fine tuning. This remote adjustment functionality greatly speeds up installation time.

### Hi-POE

The new DX series comes with High Power over Ethernet (PoE+) meaning the heater in the camera no longer needs to be powered locally, this feature once again simplifies installation since only one cable is needed to carry power for the camera, heater as well as video signal.

### Protection

The Hawk DX series offers IP66 protection against dust, rain and snow and can operate in extreme cold temperatures. The cameras' extreme cold control function ensures safe start-up from -40 °C with an operational temperature range of -40°C ~ +50°C (POE+)

### Improved IR Technology

The Hawk DX series, incorporates the latest improvements in IR technology offering up to 30 meters distance.

## Optional Mounting Accessories

### Pole Mount Thin

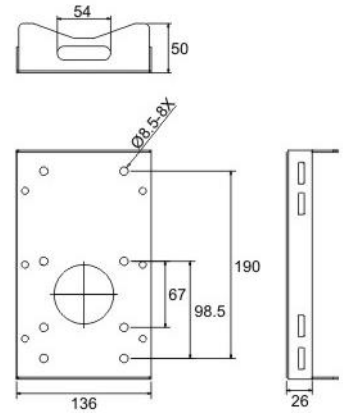
Dimensions: 232×136×60 mm

Diameter: 112~130 mm

Weight: 0.7 kg

Supplied with stainless steel straps x4, M8x16 screw x4, washer x4 and spring washer-8 x4.

Thin: Part number 0070-10002



Unit: mm

### Pole Mounting Wide

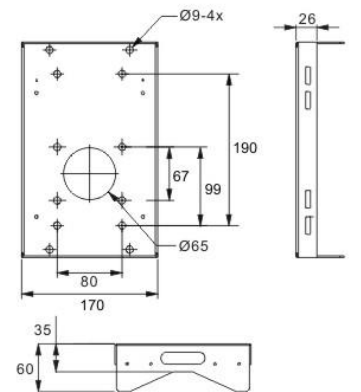
Dimensions: 270×170×60 mm

Diameter: 112~140 mm

Weight: 1 kg

Supplied with M8x16 screw x4, washer x4, stainless steel straps x4 and spring washer-8 x4.

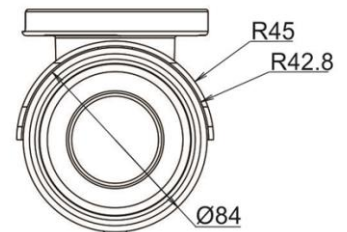
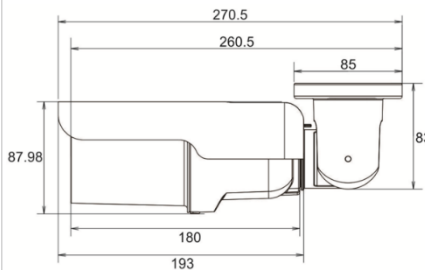
Part number 0070-10003



Unit: mm

### Hawk Housing

Hawk housing drawing with dimensions.



Unit: mm

Follow us on



ONVIF

© 2015 Ernitec. All rights reserved  
www.ernitec.com

Ernitec  
Tempovej 41  
2750 Ballerup  
Denmark

# Technical Specification Hawk DX-412 720P

Camera	
Camera type	Bullet day / night
Effective Pixels	1280(H) x 1024(V)
Image Sensor	1/3" Progressive scan Exmor CMOS
Electronic Shutter Speed	1~1/10.000 sec.
Min. Illumination	1.0 Lux (Colour), 0.01 Lux (B/W), F1.2, 30IRE
Day/night switching	Mechanical IR-cut
Lens	
Lens type	Motorized Autofocus
Focal Length	3 ~ 9 mm
F. number	F1.2 (wide), F2.1(tele)
Iris	P- iris
FOV	103.5° (wide) ; 34.3° (tele)
Video	
Video compression	H.264/MJPEG
Resolution	HD 720P / XGA / SVGA / D1 / VGA / CIF / QCIF@60fps or 30fps (UWDR)
Single stream NTSC	H.264 720P @ 60 fps
Single stream PAL	H.264 720P @ 50 fps
Multiple streams	Dual Stream: PAL: H.264 720P(50 fps) + H.264/MJPEG SVGA(50 fps) NTSC: H.264 720P(60 fps) + H.264/MJPEG SVGA (60 fps) Triple Stream: PAL: H.264 720P(25 fps) + H.264 720P(25 fps) + H.264 720P (25fps) NTSC: H.264 720P(30 fps) + H.264 720P(30 fps) + H.264 720P(30fps) Quad Stream: PAL: H.264 720P(25 fps) + H.264 720P(25 fps) + H.264 720P(25 fps)+ H.264 CIF(25 fps) NTSC: H.264 720P(30 fps) + H.264 720P(30 fps) + H.264 720P(30 fps)+ H.264 QVGA(30 fps)
Brightness	Manual
Exposure	Auto / Manual
Sharpness	Manual
Contrast	Manual
White Balance	Manual / AWB/ ATW
Saturation	Manual
Hue	Manual
Digital Zoom	Yes
Ultra WDR	upto 100dB
3D Noise	On/Off
Privacy Zone	On/Off
Motion detection	On/Off
Tampering Alarm	On/Off

Network	
Network Interface	Ethernet (RJ45) 10/100Mbps
Supported protocol	IPv4/v6, TCP/IP, UDP, RTP, STPS, HTTP, HTTPS, ICMP, FTP, SMTP, DHCP, PPPoE, Upnp, IGMP, SNMP, QoS
Internet Browser	Internet Explorer (6.0+), Chrome, Firefox, Safari
Password Levels	User / Administrator
User Account	20
Event Notification	HTTP, FTP, SMTP

General	
OnVif	Profile S, see more information on <a href="http://www.onvif.org">www.onvif.org</a>
Edge Storage	SD/ SDHC card slot (card is not included)
Audio	Two-way /G.711 /G.726
Audio input / output	4 pins terminal block
Digital In/out	1 /1 (terminal block)
Analog Video Output	1Vpp, 75Ω, PAL BNC connector class 2
Power Voltage	12VDC / 24VAC/ POE/POE+ (IEEE802.3af / IEEE802.at)
Power Consumption	Without heater 8.9W With fan/heater 25.0W
Power Connector	3 pins terminal block / RJ45
Fan & Heater	Yes, 25W 12VDC, 24VAC/ POE+
Built-in IR illuminator	Up to 30 meters 24, 850nm LEDs
Environmental Casing	IP66
Languages	English, French, German, Italian
Operating Temperature/Humidity	-10°C ~ +50°C (POE) -40°C ~ +50°C (POE+) 10% ~ 90% RH
Dimensions	Ø151 x 130,52 mm
Weight (Net)	Approx. 800g
Warranty	4 years
Included accessories	Installation and Management software DVD
Part number	0070-05411

Optional accessories	
1ch video management software	0063-99999
AppView for smart phones and tablet	free download



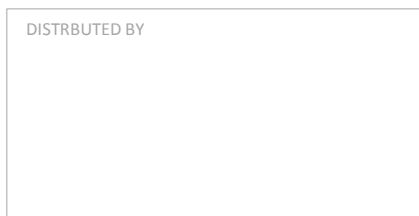
# Technical Specification Hawk DX-412 1080P

Camera	
Camera type	Bullet day / night
Effective Pixels	1920(H) x 1080(V)
Image Sensor	1/2.8" Sony Progressive CMOS
Electronic Shutter Speed	1~1/10.000 sec.
Min. Illumination	1.0 Lux (Colour), 0.01 Lux (B/W), F1.2, 30IRE
Day/night switching	Mechanical IR-cut
Lens	
Lens type	Motorized Autofocus
Focal Length	3 ~ 9 mm
F. number	F1.2 (wide), F2.1(tele)
Iris	P- iris
FOV	135.6° (Wide); 45.5° (Tele)
Video	
Video compression	H.264/MJPEG
Resolution	Full HD 1080P / SXGA / HD 720P / XGA / SVGA / D1 / VGA / CIF / QCIF@60fps or 30fps (UWDR)
Single stream NTSC	H.264 1080P @ 60 fps
Single stream PAL	H.264 1080P @ 50 fps
Multiple streams	Dual Stream: PAL: H.264 1080P(50 fps) + H.264/MJPEG D1(50 fps) NTSC: H.264 1080P(60 fps) + H.264/MJPEG D1(60 fps) Triple Stream: PAL: H.264 720P(50 fps) + H.264 720P(25 fps) + H.264 800x600(25fps) NTSC: H.264 720P(60 fps) + H.264 720P(30 fps) + H.264 800x600(30fps) Quad Stream: PAL: H.264 1080P(25 fps) + H.264 720P(25 fps) + H.264 720P(25 fps)+ H.264 QVGA(25 fps) NTSC: H.264 1080P(30 fps) + H.264 720P(30 fps) + H.264 720P(30 fps)+ H.264 QVGA(30 fps)
Brightness	Manual
Exposure	Auto / Manual
Sharpness	Manual
Contrast	Manual
White Balance	Manual / AWB/ ATW
Saturation	Manual
Hue	Manual
Digital Zoom	Yes
Ultra WDR	upto 100dB
3D Noise	On/Off
Privacy Zone	On/Off
Motion detection	On/Off
Tampering Alarm	On/Off

Network	
Network Interface	Ethernet (RJ45) 10/100Mbps
Supported protocol	IPv4/v6, TCP/IP, UDP, RTP, STPS, HTTP, HTTPS, ICMP, FTP, SMTP, DHCP, PPPoE, Upnp, IGMP, SNMP, QoS
Internet Browser	Internet Explorer (6.0+), Chrome, Firefox, Safari
Password Levels	User / Administrator
User Account	20
Event Notification	HTTP, FTP, SMTP

General	
OnVif	Profile S, see more information on <a href="http://www.onvif.org">www.onvif.org</a>
Edge Storage	SD/ SDHC card slot (card is not included)
Audio	Two-way /G.711 /G.726
Audio input / output	4 pins terminal block
Digital In/out	1 /1 (terminal block)
Analog Video Output	1Vpp, 75Ω, PAL BNC connector class 2
Power Voltage	12VDC / 24VAC/ POE/POE+ (IEEE802.3af / IEEE802.at)
Power Consumption	Without heater 8.9W With fan/heater 25.0W
Power Connector	3 pins terminal block / RJ45
Fan & Heater	Yes, 25W 12VDC, 24VAC/ POE+
Built-in IR illuminator	Up to 30 meters 24, 850nm LEDs
Environmental Casing	IP66
Languages	English, French, German, Italian
Operating Temperature/Humidity	-10°C ~ +50°C (POE) -40°C ~ +50°C (POE+) 10% ~ 90% RH
Dimensions	Ø151 x 130,52 mm
Weight (Net)	Approx. 800g
Warranty	4 years
Included accessories	Installation and Management software DVD
Part number	0070-05412

Optional accessories	
1ch video management software	0063-99999
AppView for smart phones and tablet	free download



We reserve the right to introduce product modifications without notice

Follow us on



© 2015 Ernitec. All rights reserved  
[www.ernitec.com](http://www.ernitec.com)

Ernitec  
Tempovej 41  
2750 Ballerup  
Denmark

RO3EN0215