



## IP Bullet Camera

### Hawk SX Series 2nd Generation

- Hawk SX-412 720P
- Hawk SX-422 1080P
- 30 Frames per Second
- Wide Dynamic Range
- Motorised P-Iris Lens
- 25M Infra-Red Illuminator
- POE + (IEEE 802.3at)
- Quad Stream
- OnVif
- 4 year Warranty

### Hi Performance Sensor

The second generation of Hawk SX Series Bullet cameras incorporates Sony's new Exmor™ CMOS image sensor which is specially designed for security applications and includes state-of-the-art image enhancement technologies offering excellent colour reproduction.

### WDR

The Hawk SX 2<sup>nd</sup> generation also offers the latest Wide Dynamic Range feature making this range ideal for surveillance in areas with strong variations in light, for instance close to large windows and entrances or where the sunlight creates both very bright zones and dark shadows.

### Motorised P-Iris Lens

Remote zoom and focus feature enables convenient focusing over the network together with the special P-Iris lens, eliminating the need for hands-on fine tuning. This remote adjustment functionality greatly speeds up installation time and ensures that the camera's angle of view is optimized for the area to be monitored giving contrast and clarity in the depth of field and optimising image resolution.

### Hi-POE

The new SX 2<sup>nd</sup> generation comes with High Power over Ethernet (PoE+) meaning the heater in the camera no longer needs to be powered locally, this feature once again simplifies installation since only one cable is needed to carry power for the camera, heater as well as video signal.

### Protection

The Hawk SX series offers IP66 protection against dust, rain and snow and can operate in extreme cold temperatures. The cameras' extreme cold control function ensures safe start-up from -40 °C with an operational temperature range of -40°C ~ +50°C (POE+)

### Improved IR Technology

The Hawk SX series, incorporates the latest improvements in IR technology offering up to 30 meters distance.

## Optional Mounting Accessories

### Pole Mount Thin

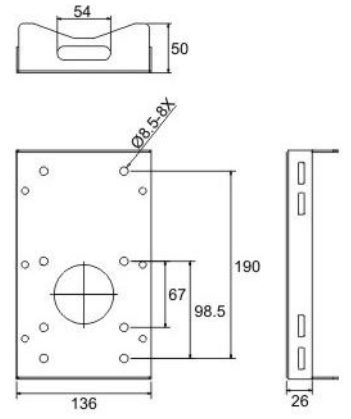
Dimensions: 232×136×60 mm

Diameter: 112~130 mm

Weight: 0.7 kg

Supplied with stainless steel straps x4, M8x16 screw x4, washer x4 and spring washer-8 x4.

Thin: Part number 0070-10002



Unit: mm

### Pole Mounting Wide

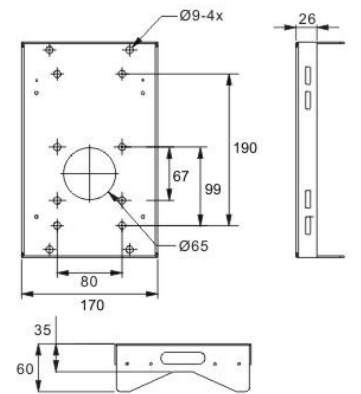
Dimensions: 270×170×60 mm

Diameter: 112~140 mm

Weight: 1 kg

Supplied with M8x16 screw x4, washer x4, stainless steel straps x4 and spring washer-8 x4.

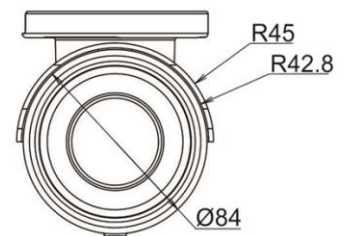
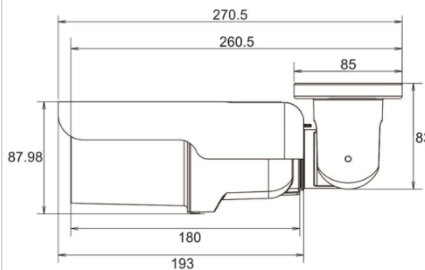
Part number 0070-10003



Unit: mm

### Hawk Housing

Hawk housing drawing with dimensions.



Unit: mm

Follow us on



ONVIF

© 2015 Ernitec. All rights reserved  
www.ernitec.com

Ernitec  
Tempovej 41  
2750 Ballerup  
Denmark

# Technical Specification Hawk SX-412 720P

Camera		Network	
Camera type	Dome day / night (ICR Type)	Network Interface	Ethernet (RJ45) 10/100Mbps
Effective Pixels	1329 (H) x 1049 (V)	Supported protocol	IPv4/v6, TCP/IP, UDP, RTP, STPS, HTTP, HTTPS, ICMP, FTP, SMTP, DHCP, PPPoE, Upnp, IGMP, SNMP, QoS
Image Sensor	1/2.7" Sony Progressive CMOS	Internet Browser	Internet Explorer (6.0+), Chrome, Firefox, Safari
Electronic Shutter Speed	1~1/10.000 sec.	Password Levels	User / Administrator
Min. Illumination	1.0 Lux (Colour), 0.01 Lux (B/W), F1.2, 30IRE	User Account	20
Day/night switching	Mechanical IR-cut	Event Notification	HTTP, FTP, SMTP
Lens		General	
Lens type	Motorized Autofocus	OnVif	Profile S, see more information on <a href="http://www.onvif.org">www.onvif.org</a>
Focal Length	3 ~ 9 mm	Edge Storage	SD/ SDHC card slot (card is not included)
F. number	F1.2 (wide), F2.1(tele)	Audio	Two-way /G.711 /G.726
Iris	P- iris	Audio input / output	4 pins terminal block
FOV	89° (Wide); 36° (Tele)	Digital In/out	1 /1 (terminal block)
Video		Analog Video Output	1Vpp, 75Ω, PAL BNC connector class 2
Video compression	H.264/MJPEG	Power Voltage	12VDC / 24VAC/ POE/POE+ (IEEE802.3af / IEEE802.at)
Resolution	Full HD 1080P / SXGA / HD 720P / XGA / SVGA / D1 / VGA / CIF / QCIF@30fps (WDR)	Power Consumption	Without heater 8.9W With fan/heater 25.0W
Single stream NTSC	H.264 720P @ 30 fps	Power Connector	3 pins terminal block / RJ45
Single stream PAL	H.264 720P @ 25 fps	Fan & Heater	Yes, 25W 12VDC, 24VAC/ POE+
Multiple streams	Dual Stream:	Built-in IR illuminator	Up to 30 meters 850nm LED
Brightness	Manual	Environmental Casing	IP66
Exposure	Auto / Manual	Languages	English, French, German, Italian
Sharpness	Manual	Operating Temperature/Humidity	-10°C ~ +50°C (POE) -40°C ~ +50°C (POE+) 10% ~ 90% RH
Contrast	Manual	Dimensions	Ø151 x 130,52 mm
White Balance	Manual / AWB/ ATW	Weight (Net)	Approx. 800g
Saturation	Manual	Warranty	4 years
Hue	Manual	Included accessories	Installation and Management software DVD
Digital Zoom	Yes	Part number	0070-04421
WDR	upto 75dB	<b>Optional accessories</b>	
3D Noise	On/Off	1ch video management software	0063-99999
Privacy Zone	On/Off	AppView for smart phones and tablet	free download
Motion detection	On/Off		
Tampering Alarm	On/Off		



# Technical Specification Hawk SX-412 1080P

Camera		Network	
Camera type	Dome day / night (ICR Type)	Network Interface	Ethernet (RJ45) 10/100Mbps
Effective Pixels	1920(H) x 1080(V)	Supported protocol	IPv4/v6, TCP/IP, UDP, RTP, STPS, HTTP, HTTPS, ICMP, FTP, SMTP, DHCP, PPPoE, Upnp, IGMP, SNMP, QoS
Image Sensor	1/2.8" Sony Progressive CMOS	Internet Browser	Internet Explorer (6.0+), Chrome, Firefox, Safari
Electronic Shutter Speed	1~1/10.000 sec.	Password Levels	User / Administrator
Min. Illumination	1.0 Lux (Colour), 0.01 Lux (B/W), F1.2, 30IRE	User Account	20
Day/night switching	Mechanical IR-cut	Event Notification	HTTP, FTP, SMTP
Lens		General	
Lens type	Motorized Autofocus	OnVif	Profile S, see more information on <a href="http://www.onvif.org">www.onvif.org</a>
Focal Length	3 ~ 9 mm	Edge Storage	SD/ SDHC card slot (card is not included)
F. number	F1.2 (wide), F2.1(tele)	Audio	Two-way /G.711 /G.726
Iris	P- iris	Audio input / output	4 pins terminal block
FOV	135.6° (Wide); 45.5° (Tele)	Digital In/out	1 /1 (terminal block)
Video		Analog Video Output	1Vpp, 75Ω, PAL BNC connector class 2
Video compression	H.264/MJPEG	Power Voltage	12VDC / 24VAC/ POE/POE+ (IEEE802.3af / IEEE802.at)
Resolution	Full HD 1080P / SXGA / HD 720P / XGA / SVGA / D1 / VGA / CIF / QCIF@30fps (WDR)	Power Consumption	Without heater 8.9W With fan/heater 25.0W
Single stream NTSC	H.264 1080P @ 30 fps	Power Connector	3 pins terminal block / RJ45
Single stream PAL	H.264 1080P @ 25 fps	Fan & Heater	Yes, 25W 12VDC, 24VAC/ POE+
Multiple streams	Quad Stream	Built-in IR illuminator	Up to 30 meters 850nm LED
Video compression	H.264/MJPEG	Environmental Casing	IP66
Brightness	Manual	Languages	English, French, German, Italian
Exposure	Auto / Manual	Operating	-10°C ~ +50°C (POE)
Sharpness	Manual	Temperature/Humidity	-40°C ~ +50°C (POE+) 10% ~ 90% RH
Contrast	Manual	Dimensions	Ø151 x 130,52 mm
White Balance	Manual / AWB/ ATW	Weight (Net)	Approx. 800g
Saturation	Manual	Warranty	4 years
Hue	Manual	Included accessories	Installation and Management software DVD
Digital Zoom	Yes	Part number	0070-04422
WDR	upto 75dB		
3D Noise	On/Off		
Privacy Zone	On/Off		
Motion detection	On/Off		
Tampering Alarm	On/Off		

## Optional accessories

1ch video management software	0063-99999
AppView for smart phones and tablet	free download

DISTRBUTED BY



We reserve the right to introduce product modifications without notice

Follow us on



© 2015 Ernitec. All rights reserved  
[www.ernitec.com](http://www.ernitec.com)

Ernitec  
Tempovej 41  
2750 Ballerup  
Denmark