



Vandal Resistant Dome

Mercury SX 3rd Generation

- New 1/3" Progressive Scan CMOS
- Real Time in all Resolutions
- Motorised 3-9mm P-Iris Lens
- True Wide Dynamic Range 120dB
- Vandal Resistant IK10
- Smart IR Range 45M
- Quad Stream
- OnVif
- POE (IEEE 802.3af)
- 4 year Warranty

New 1/3" Progressive CMOS

The third generation of Mercury SX Series dome cameras incorporates a brand new range of megapixel CMOS sensors which can run real-time in 4MP 16:9 format and include state-of-the-art image enhancement technologies offering excellent colour reproduction.

Ture WDR

The 3rd generation Mercury SX range also offers the Ture Wide Dynamic Range up to 120dB making this range ideal for surveillance in areas with strong variations in light, for instance close to large windows and entrances or where the sunlight creates both very bright zones and dark shadows.

Motorised P-Iris Lens

Remote zoom and focus feature enables convenient focusing over the network together with the special P-Iris lens, eliminating the need for hands-on fine tuning. This remote adjustment functionality greatly speeds up installation time and ensures that the camera's angle of view is optimized for the area to be monitored giving contrast and clarity in the depth of field and optimising image resolution.

Improved IR Technology

The 3rd generation Mercury SX range, incorporates the latest improvements in Smart IR technology offering up to 45 meters distance.

POE

The 3rd generation Mercury SX range comes with Power over Ethernet (PoE) meaning the heater in the camera no longer needs to be powered locally, this feature once again simplifies installation since only one cable is needed to carry power for the camera, heater as well as video signal.

Protection

The 3rd generation Mercury SX range offers an all-aluminium housing with tamper screws for full IK10 protection. The 3rd generation Mercury also offers IP66 protection against dust, rain and snow and can operate in extreme cold temperatures. The cameras' extreme cold control function ensures safe start-up from -40 °C with an operational temperature range of -40°C ~ +50°C (POE, IEEE 802.3af)

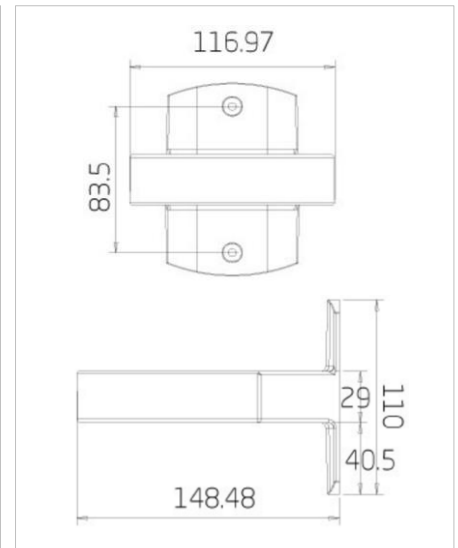
Optional Mounting Accessories

Mercury SX3 Wall Bracket

Dimensions: 148×117×110mm

Weight: 0.6 kg

Part number 0070-10016

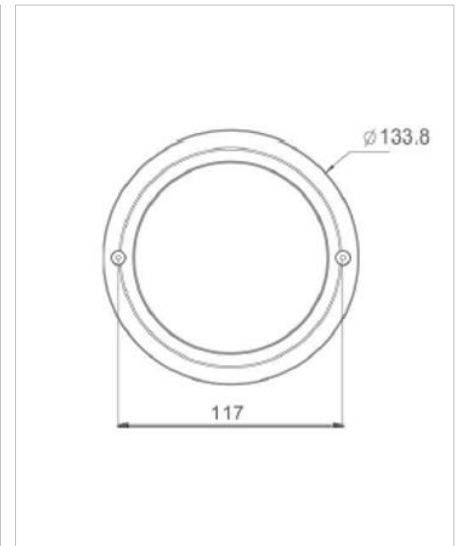


Mercury SX3 Dome Cover

Replacement dome Cover

Weight: 0.5 kg

Part number 0070-10018



In-Ceiling (T-Bar) Mount

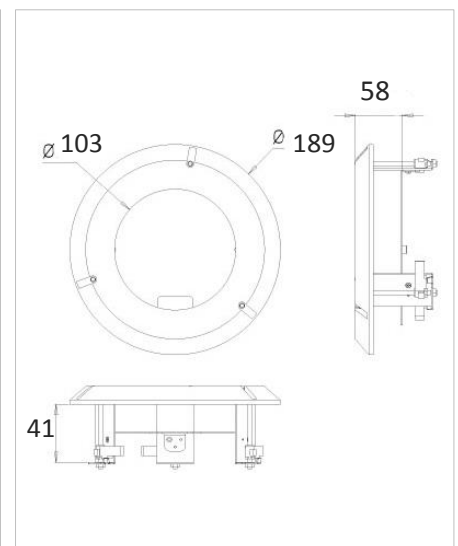
For In-Ceiling Installation.

Height: 58 mm

Diameter: \varnothing 103 / \varnothing 189 mm

Weight: 0.8 kg

Part number 0070-10017



Follow us on



ONVIF

© 2015 Ernitec. All rights reserved
www.ernitec.com

Ernitec
Tempovej 41
2750 Ballerup
Denmark

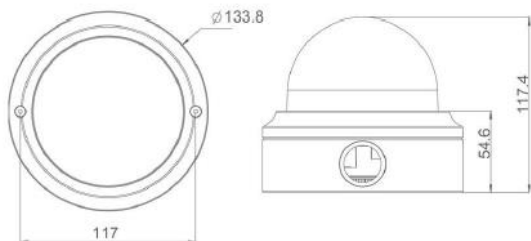
RO1EN0616

Technical Specification Mercury SX-332IR

Camera	
Camera type	Dome day / night (ICR Type)
Effective Pixels	1920 (H) x 1080(V)
Image Sensor	1/3" Progressive CMOS
Electronic Shutter Speed	1~1/10.000 sec.
Min. Illumination	0.2 lux (Colour)/ 0.02 lux (B/W) F1.2, 30IRE
Day/night switching	Mechanical IR-cut
Lens	
Lens type	Motorized Autofocus
Focal Length	3 ~ 9 mm
F. number	F1.4 (wide), F2.1(tele)
Iris	P- iris
FOV	91.4° (Wide); 33.1° (Tele)
Video	
Video compression	H.264/MJPEG
Resolution	Full HD 1080P / SXGA / HD 720P / XGA / SVGA / D1 / VGA / CIF / QCIF@30fps (WDR)
Single stream NTSC	H.264 1080P @ 30 fps
Single stream PAL	H.264 1080P @ 25 fps
Single stream NTSC	H.264 720P @ 30 fps
Single stream PAL	H.264 720P @ 25 fps
Multiple streams	Quad Stream
Brightness	Manual
Exposure	Auto / Manual
Sharpness	Manual
Contrast	Manual
White Balance	Manual / AWB/ ATW
Saturation	Manual
Hue	Manual
Digital Zoom	Yes
True WDR	upto 120dB
3D Noise	On/Off
Privacy Zone	On/Off
Motion detection	On/Off
Tampering Alarm	On/Off

Network	
Network Interface	Ethernet (RJ45) 10/100Mbps
Supported protocol	IPv4/v6, TCP/IP, UDP, RTP, STPS, HTTP, HTTPS, ICMP, FTP, SMTP, DHCP, PPPoE, Upnp, IGMP, SNMP, QoS
Internet Browser	Internet Explorer (6.0+), Chrome, Firefox, Safari
Password Levels	User / Administrator
User Account	20
Event Notification	HTTP, FTP, SMTP
General	
OnVif	Profile S, see more information on www.onvif.org
SD Card Slot	SD card slot Micro SDXC 64GB supported (card is not included)
Audio	Two-way /G.711 /G.726
Audio input / output	5 of 9pin terminal block
Digital In/out	1/1 (4 of 9 pin terminal block)
Analogue Video Output	2 pin connector 75Ω, PAL class 2
Power Voltage	12VDC / 24VAC/ POE (IEEE802.3af)
Power Consumption	Max. 12,9W
Power Connector	2 pin terminal block / RJ45
Built-in IR illuminator	Up to 40 meters 6 x 850nm high power LEDs
Environmental Casing	IP66 & IK10
Languages	English / French / German / Italian / Portuguese / Russian / Spanish
Operating Temperature/Humidity	-40°C ~ +50°C (POE) 10% ~ 90% RH
Dimensions	Ø133,8 x 117,4 mm
Weight (Net)	Approx. 745g
Warranty	4 years
Included accessories	Installation and Management software USB-stick
Part number	0070-04332IR

Optional accessories	
1ch video management software	0063-99999
Wall bracket	0070-10016
Ceiling Mount	0070-10017
Replacement Dome Cover	0070-10018
AppView for smart phones and tablet	free download



We reserve the right to introduce product modifications without notice

Follow us on



© 2015 Ernitec. All rights reserved
www.ernitec.com

Ernitec
Tempovej 41
2750 Ballerup
Denmark

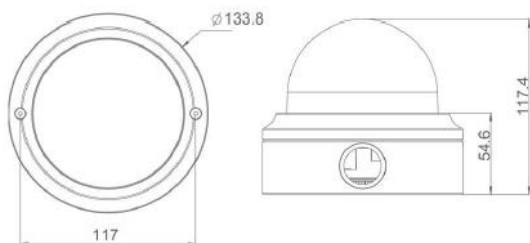
RO1EN0616

Technical Specification Mercury SX-333IR

Camera	
Camera type	Dome day / night (ICR Type)
Effective Pixels	2048 (H) x 1536(V)
Image Sensor	1/3" Progressive CMOS
Electronic Shutter Speed	1~1/10.000 sec.
Min. Illumination	0.2 lux (Colour)/ 0.02 lux (B/W) F1.2, 30IRE
Day/night switching	Mechanical IR-cut
Lens	
Lens type	Motorized Autofocus
Focal Length	3 ~ 9 mm
F. number	F1.7 (wide), F2.1(tele)
Iris	P- iris
FOV	109 ° (Wide); 33 ° (Tele)
Video	
Video compression	H.264/MJPEG
Resolution	3M (2048x1536)/Full HD 1080P / SXGA / HD 720P / XGA / SVGA / D1 / VGA / CIF / QCIF@30fps (WDR)
Single stream NTSC	H.264 2048x1536 (3M) @30 fps
Single stream PAL	H.264 2048x1536 (3M) @25 fps
Single stream NTSC	H.264 1080P @ 30 fps
Single stream PAL	H.264 1080P @ 25 fps
Single stream NTSC	H.264 720P @ 30 fps
Single stream PAL	H.264 720P @ 25 fps
Multiple streams	Quad Stream
Brightness	Manual
Exposure	Auto / Manual
Sharpness	Manual
Contrast	Manual
White Balance	Manual / AWB/ ATW
Saturation	Manual
Hue	Manual
Digital Zoom	Yes
True WDR	upto 120dB
3D Noise	On/Off
Privacy Zone	On/Off
Motion detection	On/Off
Tampering Alarm	On/Off

Network	
Network Interface	Ethernet (RJ45) 10/100Mbps
Supported protocol	IPv4/v6, TCP/IP, UDP, RTP, STPS, HTTP, HTTPS, ICMP, FTP, SMTP, DHCP, PPPoE, Upnp, IGMP, SNMP, QoS
Internet Browser	Internet Explorer (6.0+), Chrome, Firefox, Safari
Password Levels	User / Administrator
User Account	20
Event Notification	HTTP, FTP, SMTP
General	
OnVif	Profile S, see more information on www.onvif.org
SD Card Slot	SD card slot Micro SDXC 64GB supported (card is not included)
Audio	Two-way /G.711 /G.726
Audio input / output	5 of 9pin terminal block
Digital In/out	1/1 (4 of 9 pin terminal block)
Analog Video Output	2 pin connector 75Ω, PAL class 2
Power Voltage	12VDC / 24VAC/ POE (IEEE802.3af)
Power Consumption	Max. 12,9W
Power Connector	2 pin terminal block / RJ45
Built-in IR illuminator	Up to 40 meters 6 x 850nm high power LEDs
Environmental Casing	IP66 & IK10
Languages	English / French / German / Italian / Portuguese / Russian / Spanish
Operating Temperature/Humidity	-40°C ~ +50°C (POE) 10% ~ 90% RH
Dimensions	Ø133,8 x 117,4 mm
Weight (Net)	Approx. 745g
Warranty	4 years
Included accessories	Installation and Management software USB-stick
Part number	0070-04333IR

Optional accessories	
1ch video management software	0063-99999
Wall bracket	0070-10016
Ceiling Mount	0070-10017
Replacement Dome Cover	0070-10018
AppView for smart phones and tablet	free download



We reserve the right to introduce product modifications without notice

Follow us on



© 2015 Ernitec. All rights reserved
www.ernitec.com

Ernitec
Tempovej 41
2750 Ballerup
Denmark

RO1EN0616

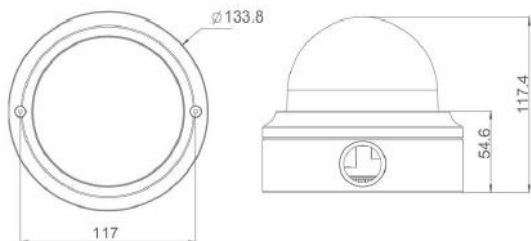
Technical Specification Mercury SX-334IR

Camera	
Camera type	Dome day / night (ICR Type)
Effective Pixels	2688(H) x 1520(V)
Image Sensor	1/3" Progressive CMOS
Electronic Shutter Speed	1~1/10.000 sec.
Min. Illumination	0.2 lux (Colour)/ 0.02 lux (B/W) F1.2, 30IRE
Day/night switching	Mechanical IR-cut
Lens	
Lens type	Motorized Autofocus
Focal Length	3 ~ 9 mm
F. number	F1.4 (wide), F2.1(tele)
Iris	P- iris
FOV	92.5° (Wide); 35.4° (Tele)
Video	
Video compression	H.264/MJPEG
Resolution	2560 x 1440 (4M) Full HD 1080P / SXGA / HD 720P / XGA / SVGA / D1 / VGA / CIF / QCIF@30fps (WDR)
Single stream NTSC	H.264 2560 x 1440 (4M) 30fps
Single stream PAL	H.264 2560 x 1440 (4M) 25fps
Single stream NTSC	H.264 1080P @ 30 fps
Single stream PAL	H.264 1080P @ 25 fps
Single stream NTSC	H.264 720P @ 30 fps
Single stream PAL	H.264 720P @ 25 fps
Multiple streams	Quad Stream
Brightness	Manual
Exposure	Auto / Manual
Sharpness	Manual
Contrast	Manual
White Balance	Manual / AWB/ ATW
Saturation	Manual
Hue	Manual
Digital Zoom	Yes
True WDR	upto 120dB
3D Noise	On/Off
Privacy Zone	On/Off
Motion detection	On/Off
Tampering Alarm	On/Off

Network	
Network Interface	Ethernet (RJ45) 10/100Mbps
Supported protocol	IPv4/v6, TCP/IP, UDP, RTP, STPS, HTTP, HTTPS, ICMP, FTP, SMTP, DHCP, PPPoE, Upnp, IGMP, SNMP, QoS
Internet Browser	Internet Explorer (6.0+), Chrome, Firefox, Safari
Password Levels	User / Administrator
User Account	20
Event Notification	HTTP, FTP, SMTP

General	
OnVif	Profile S, see more information on www.onvif.org
SD Card Slot	SD card slot Micro SDXC 64GB supported (card is not included)
Audio	Two-way /G.711 /G.726
Audio input / output	5 of 9pin terminal block
Digital In/out	1/1 (4 of 9 pin terminal block)
Analog Video Output	2 pin connector 75Ω, PAL class 2
Power Voltage	12VDC / 24VAC/ POE (IEEE802.3af)
Power Consumption	Max. 12,9W
Power Connector	2 pin terminal block / RJ45
Built-in IR illuminator	Up to 40 meters 6 x 850nm high power LEDs
Environmental Casing	IP66 & IK10
Languages	English / French / German / Italian / Portuguese / Russian / Spanish
Operating Temperature/Humidity	-40°C ~ +50°C (POE) 10% ~ 90% RH
Dimensions	Ø133,8 x 117,4 mm
Weight (Net)	Approx. 745g
Warranty	4 years
Included accessories	Installation and Management software USB-stick
Part number	0070-04334IR

Optional accessories	
1ch video management software	0063-99999
Wall bracket	0070-10016
Ceiling Mount	0070-10017
Replacement Dome Cover	0070-10018
AppView for smart phones and tablet	free download



DISTRIBUTED BY



We reserve the right to introduce product modifications without notice