



Ultra WDR Speed Dome

Orion DX Series

- 60fps @ 1080p
- 30x Zoom Lens
- Mechanical IR-cut
- Ultra WDR
- P-Iris Lens
- EIS Ernitec Image Stabilization
- Quad Stream @ full HD 30fps
- POE + (IEEE 802.3at)
- OnVif
- 3 year Warranty

Hi Performance Sensor

This new full HD IP speed dome camera features the latest 2 mega pixel resolution (1080p) sensor with 60 pictures per second and ultra wide dynamic range including day/night function with mechanical IR cut filter and is equipped with an integrated motorised 30x optical zoom with autofocus.

EIS

The new DX version is equipped with EIS (Ernitec Image Stabilization) which enables the speed dome to capture objects at distance with very high precision without the image shake you get from other domes.

Designed For Constant Use

Orion DX domes are designed for round-the-clock pan/tilt/zoom operation in outdoor environments, and can be automatically directed to 256 pre-set positions, with endless 360° pan, they enable the surveillance of an extremely wide area.

Hi-POE

Orion DX812OPH offers easy and reliable installation with High Power over Ethernet (PoE+) which simplifies installation since only one cable is needed to carry power as well as video and PTZ controls. Each Orion DX has a 75 watt Hi-PoE injector in the box so you don't have to hunt for one. The camera mount is designed with easy bayonet mounting enabling connection to the wide range of Ernitec mounting accessories, including ceiling, wall, pole or corner installations.

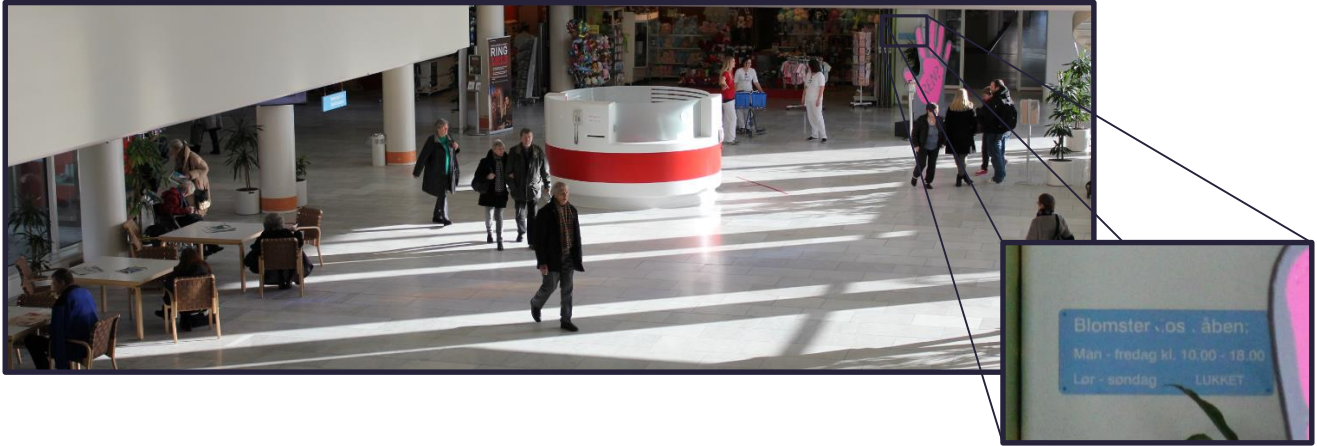
IP66 Protection

Orion DX812OPH are IP66 protection against dust, rain and snow and can operate in extreme cold temperatures. The cameras' extreme cold control function ensures safe start-up from -45 °C (-49 °F). For extreme heat we have an operating temperature of +60°C (140°F) for an absolute maximum of four hours.

Ernitec Orion DX Series

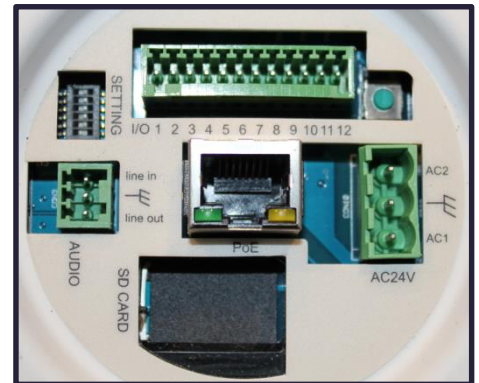
30x Optical Zoom

Fitted with 30x optical and 8x digital zoom including autofocus lens. Using the tour guard function enables the camera to patrol the area. Whereby the camera can automatically go to different preset positions to check on different areas of a scene. When the camera is fully zoomed out you get a fantastic wide angle overview image from the dome when running full HD.



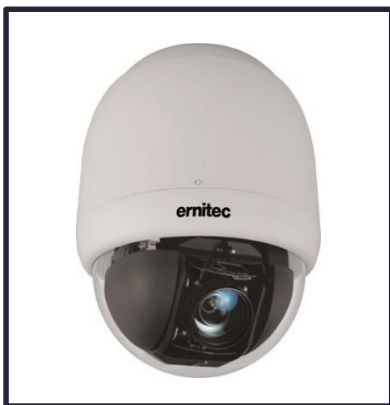
UWDR (Ultra wide dynamic range)

The domes come fitted as standard with ultra wide dynamic range enabling the dome to be fitted in extreme lighting conditions. With excellent colour reproduction.



Fast, Reliable and easy installation

The cameras support high Power over Ethernet (PoE) IEEE 802.3at, enabling easy installation. The cameras simply connect to either a PoE-enabled switch or via a PoE mid-span to a switch using one network cable to carrying power, video and PTZ controls.



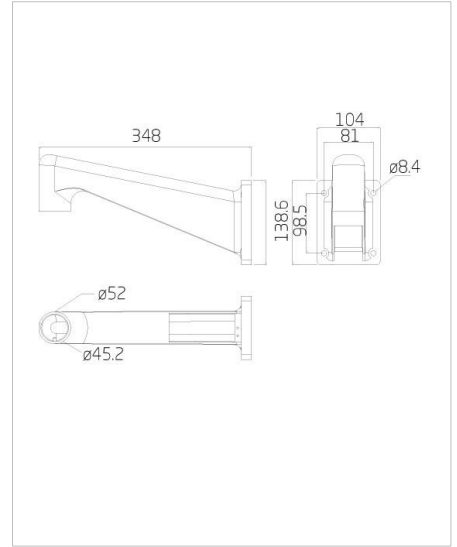
Internal Version

The range also boasts an internal version ideal for shopping malls, airports and other large indoor installations. We have several mounting options for wall and ceiling mount for both the internal and external dome.

Optional Mounting Accessories

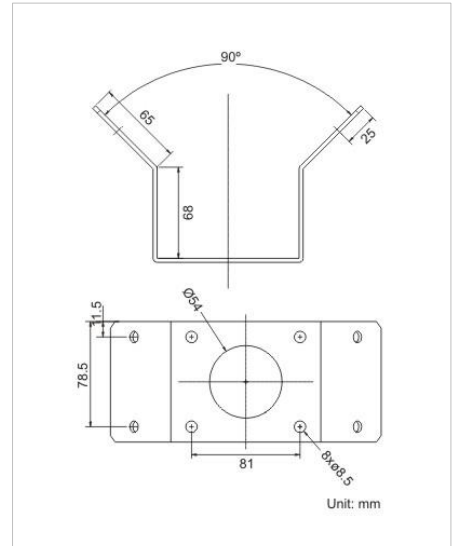
Gooseneck Mount

Dimensions: 384×104×136.5 mm
 Weight: 1.75 kg
 Supplied with rubber washer and 4x M8x12 screw .
 Part number 0017-05205



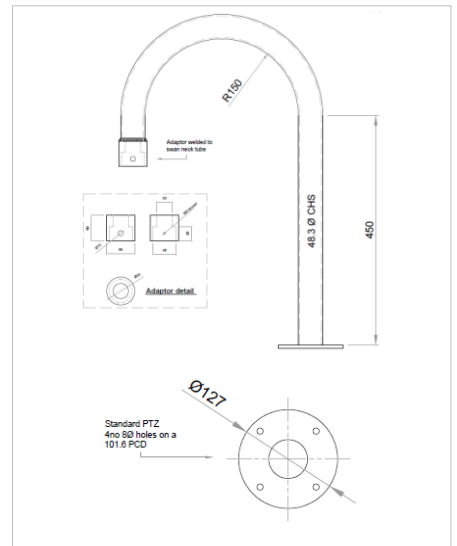
Corner Plate

For mounting with Mini Gooseneck
 Dimensions: 270×166×95 mm
 Supplied with washer-8 x4, spring washer-8 x4, M8x16 screw x4 and M8 nut x4.
 Part number 0017-05203



Swan Neck Pole Mount

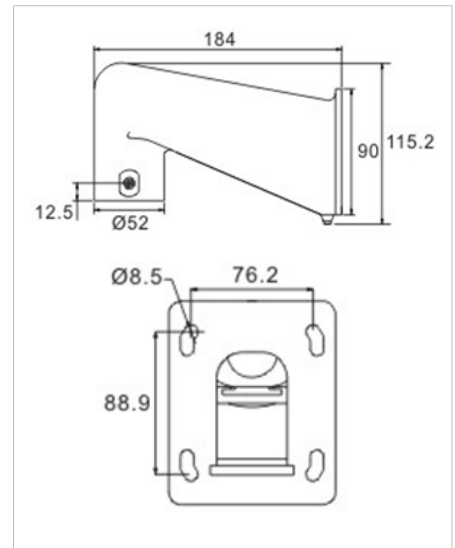
Dimensions: 450 mm to Bend
 Diameter: 48.3mm
 Weight: 2.7 kg
 Part number 0017-05220



Optional Mounting Accessories

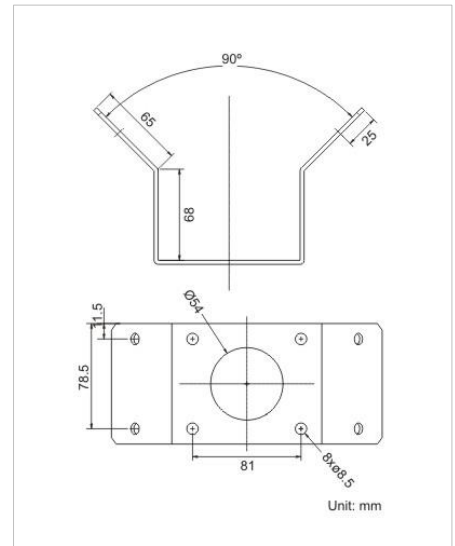
Mini Gooseneck Mount

Dimensions: 184×104×115.2 mm
Weight: 0.6 kg
Supplied with rubber washer and 4x M8x12 screw .
Part number 0070-10007



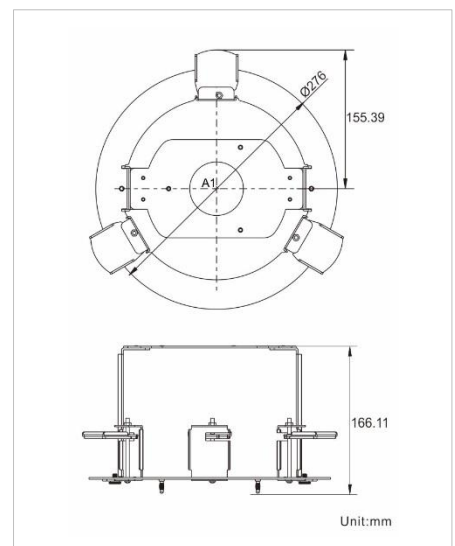
Mini Corner Plate

For mounting with Mini Gooseneck
Dimensions: 270×166×95 mm
Supplied with washer-8 x4, spring washer-8 x4, M8x16 screw x4 and M8 nut x4.
Part number 0070-10004



In-Ceiling (T-Bar) Mount

For In-Ceiling Installation.
Height: 166 mm (6.5 inches)
Diameter: 276 mm (10.9 inches)
Weight: 1.1 kg
Part number 0070-10011



Follow us on



ONVIF

© 2015 Ernitec. All rights reserved
www.ernitec.com

Ernitec
Tempovej 41
2750 Ballerup
Denmark

R09EN0715

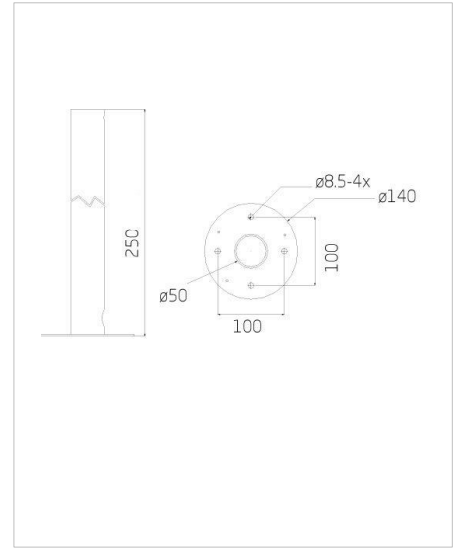
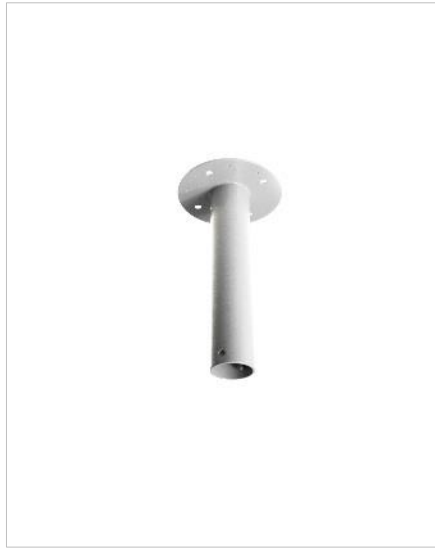
Optional Mounting Accessories

Straight Tube 25CM

ORION 25CM STRAIGHT TUBE

Dimensions $\varnothing 50 \times 250 \times \varnothing 140$ mm

Part number 0070-10025



Straight Tube 50CM and 100CM

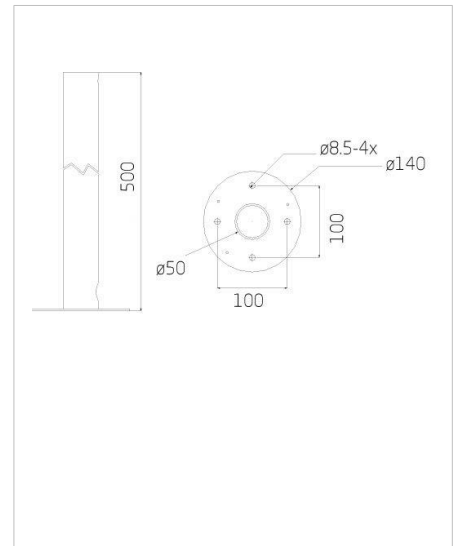
ORION 50CM STRAIGHT TUBE

Part number 0017-05208

Dimensions $\varnothing 50 \times 500 \times \varnothing 140$ mm

Part number 0070-10100

Dimensions $\varnothing 50 \times 1000 \times \varnothing 140$ mm



Dome Cover Options

Vandal Proof hemisphere

Part number 0070-10013

Smoked hemisphere

Part number 0070-10014



Optional Mounting Accessories

Pole Mount Thin

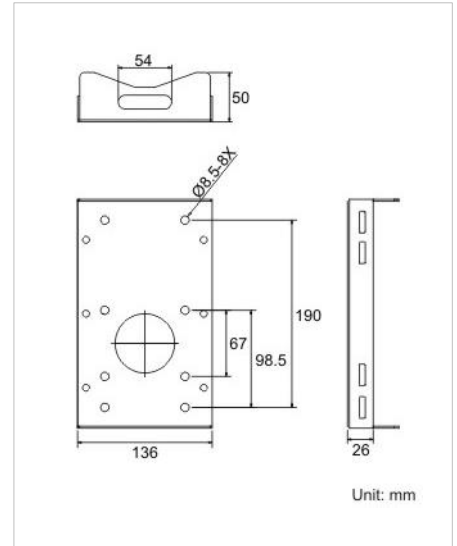
Dimensions: 232×136×60 mm

Diameter: 112~130 mm

Weight: 0.7 kg

Supplied with stainless steel straps x4, M8x16 screw x4, washer x4 and spring washer-8 x4.

Thin: Part number 0070-10002



Pole Mounting Wide

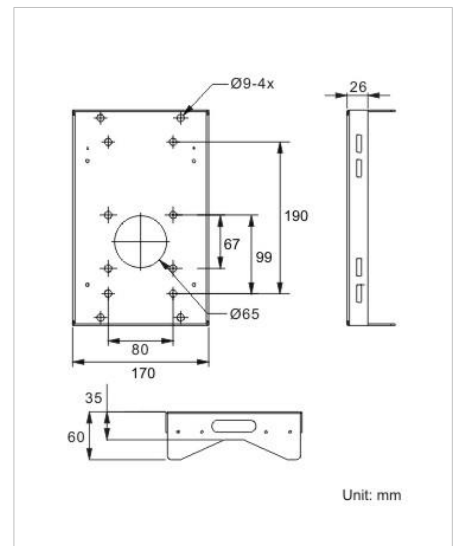
Dimensions: 270×170×60 mm

Diameter: 112~140 mm

Weight: 1 kg

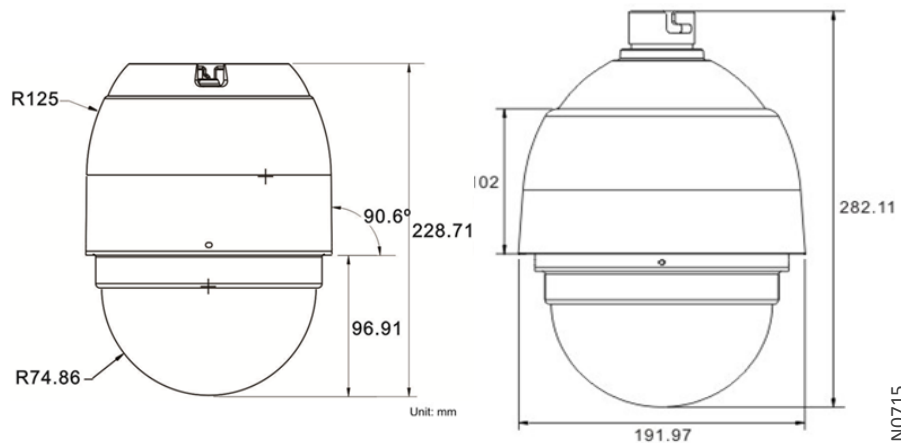
Supplied with M8x16 screw x4, washer x4, stainless steel straps x4 and spring washer-8 x4.

Part number 0070-10003



Orion Housing

Orion housing drawing with dimensions.



Technical Specification Orion DX 812IH

Camera	
Camera type	Outdoor PTZ day / night (ICR Type)
Effective Pixels	1920 (H) x 1080 (V)
Image Sensor	1/2.8" Sony Progressive Scan CMOS Sensor
Electronic Shutter Speed	1~1/10.000 sec.
Min. Illumination	Day: 0.20 Lux (Colour). Night: 0.01 Lux (mono). 50 IRE, F1.6, 1/30s Shutter-speed
Day/night switching	Mechanical IR-cut

Video	
Video Compression	H.264 Main Profile and MJPEG
Video Streaming	Multiple streams, H.264 + MJPEG / H.264 + H.264
Frame Rate	60 / 30 fps @ 1080P 60 / 30 fps @ 720P
Resolution	Full HD1080p/ SXGA/ HD720p XGA/SVGA/ D1/ VGA/ CIF
Brightness	On / Off
AGC Control	Auto / Manual
White Balance	Manual / AWB/ ATW
Digital Zoom	12 x
Ultra WDR	Up to 120dB
2D / 3D Noise	On/Off
Privacy Zone	16
Motion detection	On/Off
EIS	Ernitec Image Stabilization

Operation	
Pan Travel	360° endless
Tilt Travel	-10 ° ~ 190°
Manual Speed	0.5° ~ 90°/s
Presets	256
Preset Resolution	0.225°
Pan & Tilt Preset Speed	0.5° ~ 400°/s
Sequence	8
Auto-Pan	4
Cruise	8
Proportional Pan & Tilt	On / Off (Pan and tilt speed is proportional to zoom ratio)
Resume after Power Loss	Yes
Home Function	Preset, Sequence, Auto-Pan, Cruise
Zone Title	16

Network	
Network Interface	Ethernet (RJ45) 10/100Mbps
Supported protocol	IPv4/v6, TCP/IP, UDP, RTP, STPS, HTTP, HTTPS, ICMP, FTP, SMTP, DHCP, PPPoE, Upnp, IGMP, SNMP, QoS
Internet Browser	Internet Explorer (6.0+), Chrome, Firefox, Safari
Password Levels	User / Administrator
User Account	20
Event Notification	HTTP, FTP, SMTP

Lens	
Lens type	Motorized with P-iris
Magnification	30 X Zoom
Focal Length	4.3mm - 129mm
Focus Mode	Auto / Manual
Iris Range	F1.6-360
Iris	Auto / Manual
FOV	63.7° (Wide) - 2.3° (Tele)

General	
OnVif	Yes, OnVif profile S
SD Card Slot	Optional SD card slot Micro SDXC 64GB supported (card is not included)
Audio	Two-way /G.711 /G.726
Digital In/out	4 /2
Analog Video Output	1Vpp, 75Ω, PAL BNC connector class 2
Power Voltage	24VAC/ POE+ (IEEE802.at)
Power Consumption	Max. 20.W
Power Connector	3 pins terminal block / RJ45
Fan	Yes
Environmental Casing	Indoor
Languages	DE, ES, FR, IT, PT, RU, UK
Sustained Operating Temperature	-10°C ~ +50°C
Operating Temperature	60°C (32°F ~ 140°F)
Absolute maximum 4 hours	
Humidity	10% ~ 90% RH
Dimensions	ø192 x 282mm
Weight (Net)	Approx. 2320g
Warranty	3 years
Included accessories	Installation and Management software DVD, Hard ceilings bracket, 230VDC 3A PSU & 36W Hi-PoE injector
Part number	0070-05812IH

Optional accessories	
1ch video management software	0063-99999
Mini Gooseneck	0070-10007
Corner Plate Mini	0070-10004
In-Ceiling (T-Bar) Mount	0070-10011
Pole Thin Direct Mounting	0070-10002
Pole Wide Direct Mounting	0070-10003
Vandal Proof Dome cover	0070-10013
Smoked Cover	0070-10014
ORION ST25, Orion straight tub	0017-05206
ORION 50cm straight tube	0017-05208
Ernitec EVR Go App	free download



We reserve the right to introduce product modifications without notice

Follow us on



© 2015 Ernitec. All rights reserved
www.ernitec.com

Ernitec
Tempovej 41
2750 Ballerup
Denmark

RO9EN0715

Technical Specification Orion DX 812OPH

Camera	
Camera type	Outdoor PTZ day / night (ICR Type)
Effective Pixels	1920 (H) x 1080 (V)
Image Sensor	1/2.8" Sony Progressive Scan CMOS Sensor
Electronic Shutter Speed	1~1/10.000 sec.
Min. Illumination	Day: 0.20 Lux (Colour). Night: 0.01 Lux (mono). 50 IRE, F1.6, 1/30s Shutter-speed
Day/night switching	Mechanical IR-cut
Video	
Video Compression	H.264 Main Profile and MJPEG
Video Streaming	Multiple streams, H.264 + MJPEG / H.264 + H.264
Frame Rate	60 / 30 fps @ 1080P 60 / 30 fps @ 720P
Resolution	Full HD1080p/ SXGA/ HD720p XGA/SVGA/ D1/ VGA/ CIF
Brightness	On / Off
AGC Control	Auto / Manual
White Balance	Manual / AWB/ ATW
Digital Zoom	12 x
Ultra WDR	Up to 120dB
2D / 3D Noise	On/Off
Privacy Zone	16
Motion detection	On/Off
EIS	Ernitec Image Stabilization
Operation	
Pan Travel	360° endless
Tilt Travel	-10 ° ~ 190°
Manual Speed	0.5° ~ 90°/s
Presets	256
Preset Resolution	0.225°
Pan & Tilt Preset Speed	0.5° ~ 400°/s
Sequence	8
Auto-Pan	4
Cruise	8
Proportional Pan & Tilt	On / Off (Pan and tilt speed is proportional to zoom ratio)
Resume after Power Loss	Yes
Home Function	Preset, Sequence, Auto-Pan, Cruise
Zone Title	16
Network	
Network Interface	Ethernet (RJ45) 10/100Mbps
Supported protocol	IPv4/v6, TCP/IP, UDP, RTP, STPS, HTTP, HTTPS, ICMP, FTP, SMTP, DHCP, PPPoE, Upnp, IGMP, SNMP, QoS
Internet Browser	Internet Explorer (6.0+), Chrome, Firefox, Safari
Password Levels	User / Administrator
User Account	20
Event Notification	HTTP, FTP, SMTP

Lens	
Lens type	Motorized with P-iris
Magnification	30 X Zoom
Focal Length	4.3mm - 129mm
Focus Mode	Auto / Manual
Iris Range	F1.6-360
Iris	Auto / Manual
FOV	63.7° (Wide) - 2.3° (Tele)

General	
OnVif	Yes, OnVif profile S
SD Card Slot	Optional SD card slot Micro SDXC 64GB supported (card is not included)
Audio	Two-way /G.711 /G.726
Digital In/out	4 /2
Analog Video Output	1Vpp, 75Ω, PAL BNC connector class 2
Power Voltage	24VAC/ POE+ (IEEE802.at)
Power Consumption	Max. 20.W / with heater 65W
Power Connector	3 pins terminal block / RJ45
Fan & Heater	Yes, (Heater only 24VAC)
Environmental Casing	Weatherproof IP66
Languages	DE, ES, FR, IT, PT, RU, UK
Sustained Operating Temperature	-45°C ~ 50°C (-49°F ~ 122°F)
Operating Temperature	60°C (-49°F ~ 140°F)
Absolute maximum 4 hours	
Humidity	10% ~ 90% RH
Dimensions	ø192 x 282mm
Weight (Net)	Approx. 2320g
Warranty	3 years
Included accessories	24VAC PSU, 75W Hi-PoE injector Installation DVD
Part number	0070-05812

Optional accessories	
1ch video management software	0063-99999
ORION CA, Orion corner adapter	0017-05203
ORION gooseneck, White	0017-05205
Mini Gooseneck	0070-10007
Corner Plate Mini	0070-10004
Pole Thin Direct Mounting	0070-10002
Pole Wide Direct Mounting	0070-10003
Vandal Proof Dome cover	0070-10013
Smoked Cover	0070-10014
ORION ST25, Orion straight tub	0017-05206
ORION 50cm straight tube	0017-05208
Ernitec EVR Go App	free download

DISTRIBUTED BY



We reserve the right to introduce product modifications without notice

Follow us on



© 2015 Ernitec. All rights reserved
www.ernitec.com

Ernitec
Tempovej 41
2750 Ballerup
Denmark

ROEN0715