



WDR Speed Dome

Orion SX Series 2nd Generation

- 60fps @ 720p
- 30fps @ 1080p
- 20x Zoom Lens
- Mechanical IR-cut filter
- P-Iris Lens
- WDR
- Quad Stream
- PoE + (IEEE 802.3at)
- OnVif
- 3 year Warranty

High Performance Sensor

The 2nd generation Orion SX series full HD IP speed dome camera features the latest 2 mega pixel resolution (1080p) sensor with 30 pictures per second and wide dynamic range including day/night function with mechanical IR cut filter and is equipped with an integrated motorised 30x optical zoom with autofocus.

WDR

The Orion SX 2nd generation also offers the latest Wide Dynamic Range feature making this range ideal for surveillance in areas with strong variations in light, for instance close to large windows and entrances or where the sunlight creates both very bright zones and dark shadows.

Designed For Constant Use

The camera is designed for round-the-clock pan/tilt/zoom operation in outdoor environments, and can be automatically directed to 256 pre-set positions, With endless 360° pan, they enable surveillance of an extremely wide area.

Hi-POE

Orion SX series offers easy and reliable installation with High Power over Ethernet (PoE+) which simplifies installation since only one cable is needed to carry power as well as video and PTZ controls. The camera mount is designed with easy bayonet mounting enabling connection to the wide range of Ernitec mounting accessories, including ceiling, wall, pole or corner installations.

Environment Protection

Orion SX domes are IP66 protection against dust, rain and snow and can operate in extreme cold temperatures. The cameras' extreme cold control function ensures safe start-up from -40 °C (-40 °F) with a maximum operating temperature of 60°C (-49°F ~ 140°F)

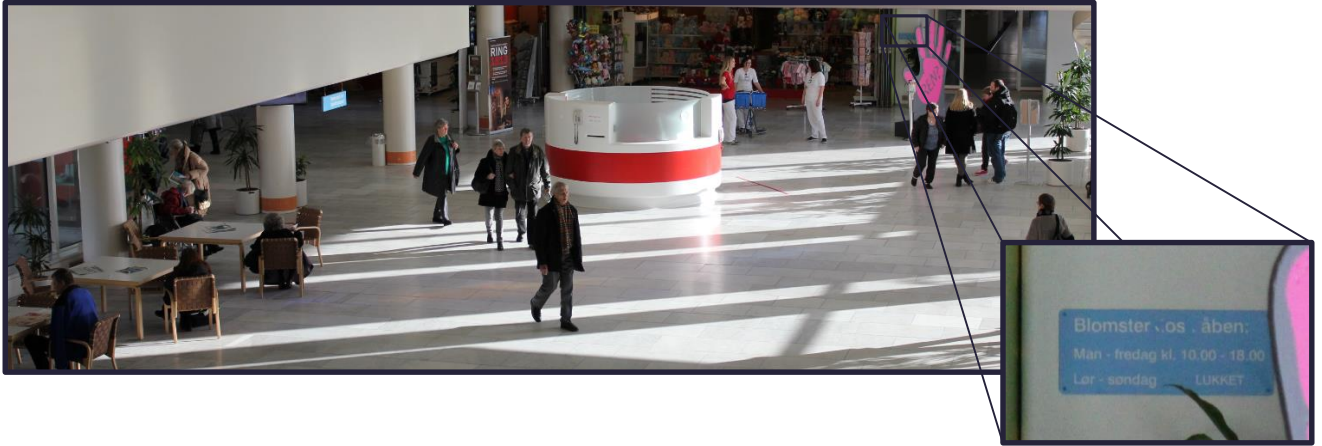
P-Iris Lens

Fitted with the latest P-Iris lens offering outstanding performance in constantly changing light conditions and improving colour reproduction.

Ernitec Orion SX Series

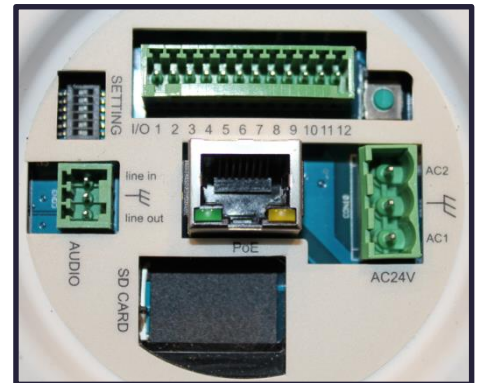
20x Optical Zoom

Fitted with 20x optical and 8x digital zoom including autofocus lens. Using the tour guard function enables the camera to patrol the area. Whereby the camera can automatically go to different preset positions to check on different areas of a scene. When the camera is fully zoomed out you get a fantastic wide angle overview image from the dome when running full HD.



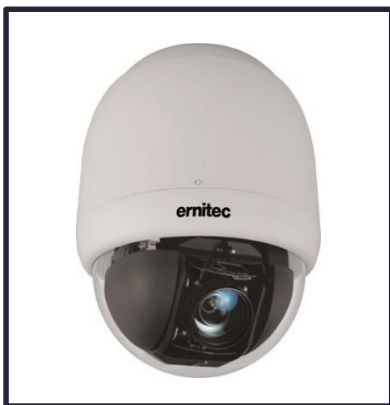
WDR (wide dynamic range)

The domes come fitted as standard with wide dynamic range enabling the dome to be fitted in extreme lighting conditions. With excellent colour reproduction.



Fast, Reliable and easy installation

The cameras support high Power over Ethernet (PoE) IEEE 802.3at, enabling easy installation. The cameras simply connect to either a PoE-enabled switch or via a PoE mid-span to a switch using one network cable to carrying power, video and PTZ controls.



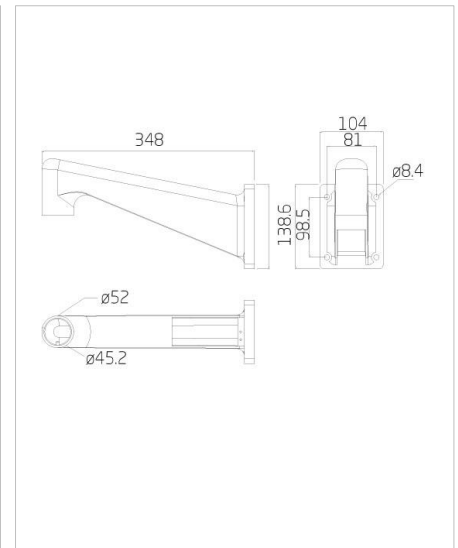
Internal Version

The range also boasts an internal version ideal for shopping malls, airports and other large indoor installations. We have several mounting options for wall and ceiling mount for both the internal and external dome.

Optional Mounting Accessories

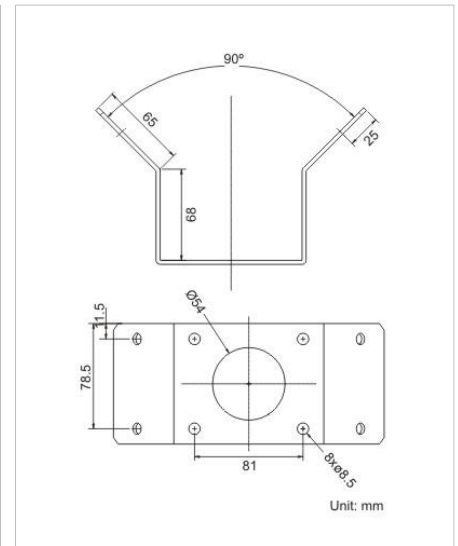
Gooseneck Mount

Dimensions: 384×104×136.5 mm
Weight: 1.75 kg
Supplied with rubber washer and 4x M8x12 screw .
Part number 0017-05205



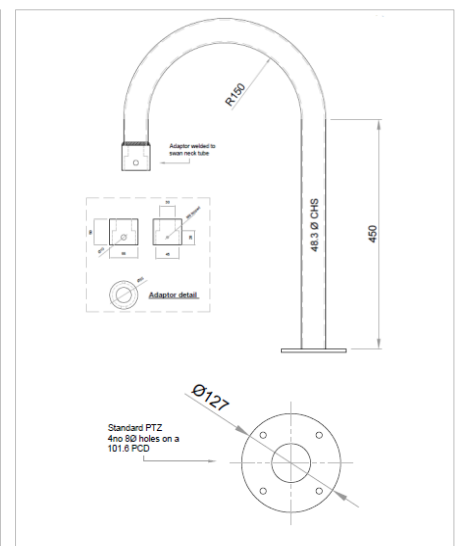
Corner Plate

For mounting with Mini Gooseneck
Dimensions: 270×166×95 mm
Supplied with washer-8 x4, spring washer-8 x4, M8x16 screw x4 and M8 nut x4.
Part number 0017-05203



Swan Neck Pole Mount

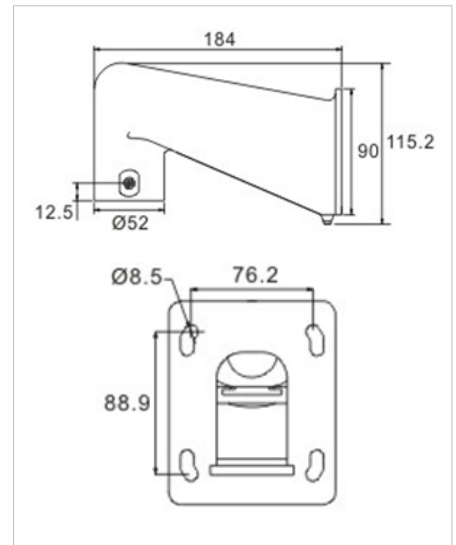
Dimensions: 450 mm to Bend
Diameter: 48.3mm
Weight: 2.7 kg
Part number 0017-05220



Optional Mounting Accessories

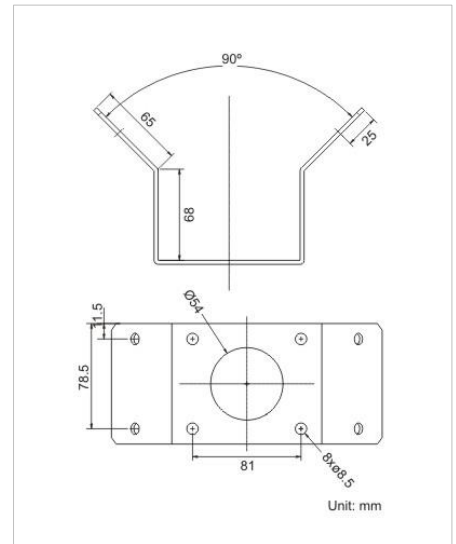
Mini Gooseneck Mount

Dimensions: 184×104×115.2 mm
Weight: 0.6 kg
Supplied with rubber washer and 4x M8x12 screw .
Part number 0070-10007



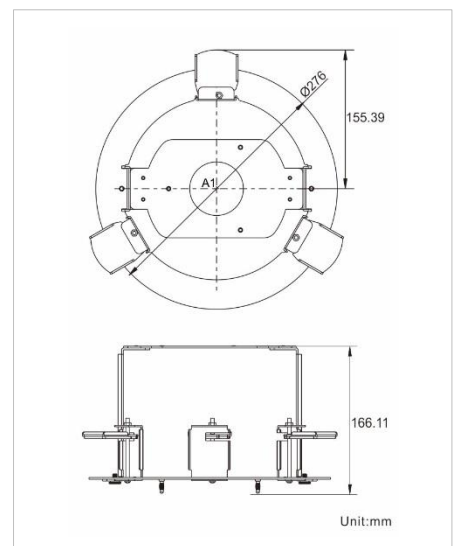
Mini Corner Plate

For mounting with Mini Gooseneck
Dimensions: 270×166×95 mm
Supplied with washer-8 x4, spring washer-8 x4, M8x16 screw x4 and M8 nut x4.
Part number 0070-10004



In-Ceiling (T-Bar) Mount

For In-Ceiling Installation.
Height: 166 mm (6.5 inches)
Diameter: 276 mm (10.9 inches)
Weight: 1.1 kg
Part number 0070-10011



Follow us on



© 2015 Ernitec. All rights reserved
www.ernitec.com

Ernitec
Tempovej 41
2750 Ballerup
Denmark

R06EN0715

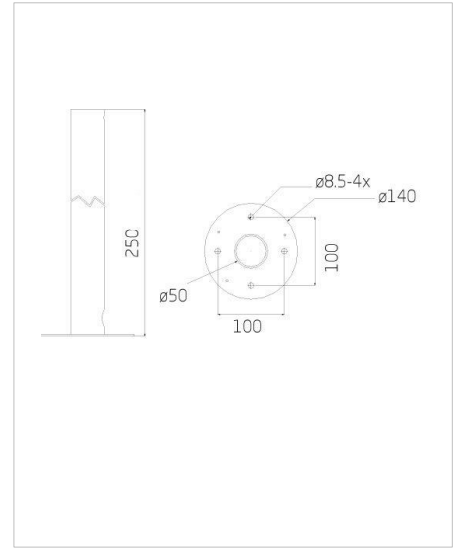
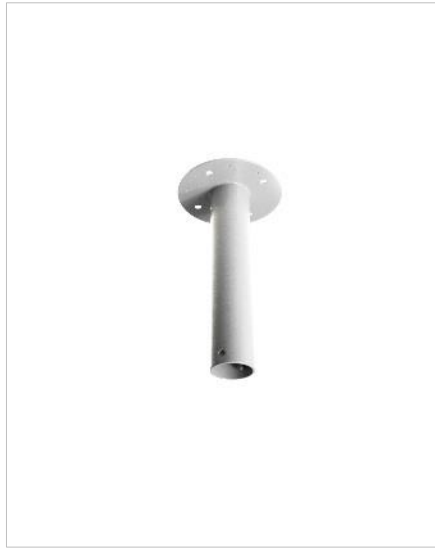
Optional Mounting Accessories

Straight Tube 25CM

ORION 25CM STRAIGHT TUBE

Dimensions $\varnothing 50 \times 250 \times \varnothing 140$ mm

Part number 0070-10025



Straight Tube 50CM and 100CM

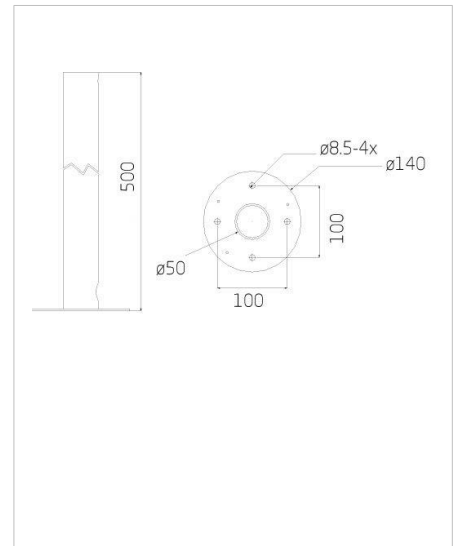
ORION 50CM STRAIGHT TUBE

Part number 0017-05208

Dimensions $\varnothing 50 \times 500 \times \varnothing 140$ mm

Part number 0070-10100

Dimensions $\varnothing 50 \times 1000 \times \varnothing 140$ mm



Dome Cover Options

Vandal Proof hemisphere

Part number 0070-10013

Smoked hemisphere

Part number 0070-10014



Optional Mounting Accessories

Pole Mount Thin

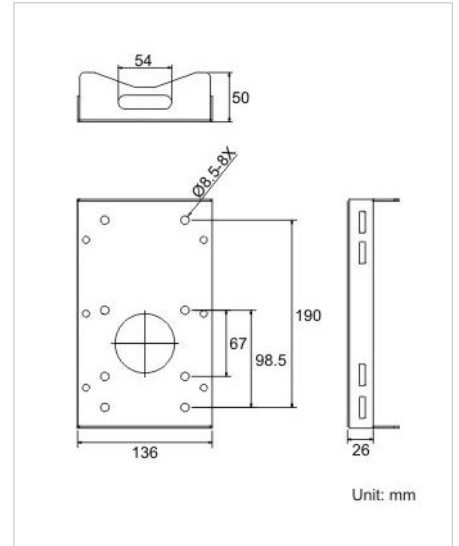
Dimensions: 232×136×60 mm

Diameter: 112~130 mm

Weight: 0.7 kg

Supplied with stainless steel straps x4, M8x16 screw x4, washer x4 and spring washer-8 x4.

Thin: Part number 0070-10002



Pole Mounting Wide

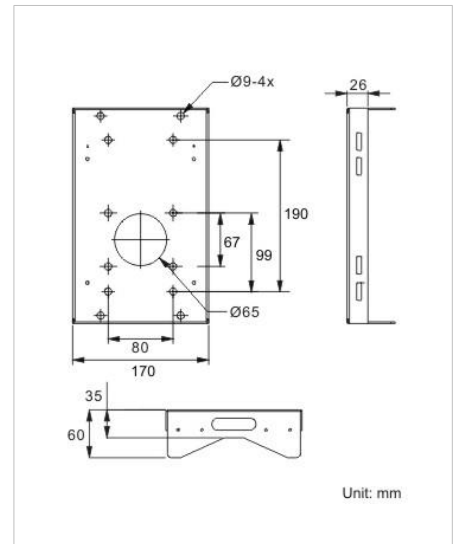
Dimensions: 270×170×60 mm

Diameter: 112~140 mm

Weight: 1 kg

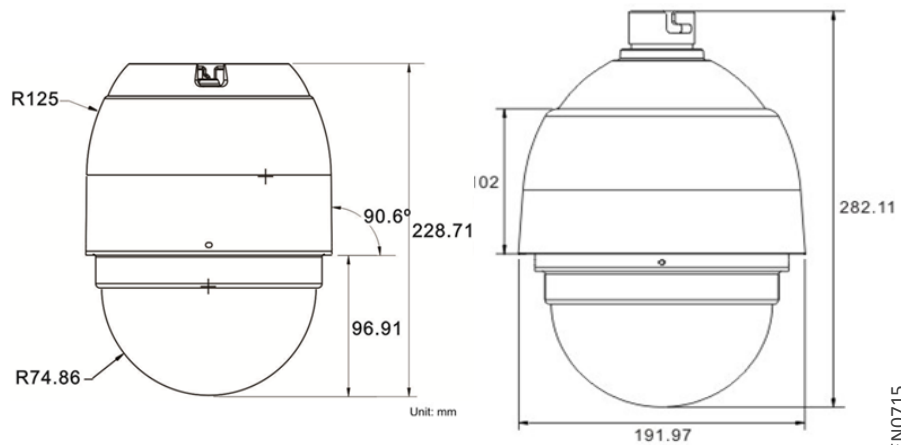
Supplied with M8x16 screw x4, washer x4, stainless steel straps x4 and spring washer-8 x4.

Part number 0070-10003



Orion Housing

Orion housing drawing with dimensions.



Technical Specification Orion SX 812IH

Camera		Lens	
Camera type	Indoor PTZ day / night (ICR Type)	Lens type	Motorized with P-iris
Effective Pixels	1920 (H) x 1080 (V)	Focal Length	4.7 ~ 94 mm
Image Sensor	1/2.8" Sony Progressive Scan CMOS Sensor	Focus Mode	Auto / Manual
Electronic Shutter Speed	1~1/10.000 sec.	Iris Range	F1.6-360
Min. Illumination	0.9 Lux (Colour), 0.03 Lux (B/W), F1.6, 30IRE	Iris	Auto / Manual
Day/night switching	Mechanical IR-cut	FOV	45.7° (Wide) - 2.4° (Tele)
Video		General	
Video Compression	H.264 Main Profile and MJPEG	OnVif	Yes, OnVif profile S
Video Streaming	Multiple streams, H.264 + MJPEG / H.264 + H.264	Edge Storage	SD/ SDHC card slot (card is not included)
Frame Rate	30 fps @ 1080P 60 fps @ 720P	Audio	Two-way /G.711 /G.726
Resolution	Full HD1080p/ SXGA/ HD720p XGA/SVGA/ D1/ VGA/ CIF	Digital In/out	4 /2
Brightness	On / Off	Analog Video Output	1Vpp, 75Ω, PAL BNC connector class 2
AGC Control	Auto / Manual	Power Voltage	802.3at PoE+ (30W)/ AC 24V ± 10%
White Balance	Manual / AWB/ ATW	Power Consumption	Max. 24.W
Digital Zoom	Yes	Power Connector	3 pins terminal block / RJ45
WDR	Up to 75dB	Fan & Heater	Yes
2D / 3D Noise	On/Off	Environmental Casing	Indoor
Privacy Zone	16	Languages	DE, ES, FR, IT, PT, RU, UK
Motion detection	On/Off	Sustained Operating Temperature	-10°C ~ +50°C
Operation		Operating Temperature	0°C ~ 60°C (32°F ~ 140°F)
Pan Travel	360° endless	Absolute maximum 4 hours	
Tilt Travel	-10 ° ~ 190°	Humidity	10% ~ 90% RH
Manual Speed	0.5° ~ 90°/s	Dimensions	ø192 x 282mm
Presets	256	Weight (Net)	Approx. 2320g
Preset Resolution	0.225°	Warranty	3 years
Preset Speed	Preset Speed	Included accessories	Installation and Management software DVD Hard ceilings bracket 230VDC 3A PSU, 36W POE Injector.
Sequence	8	Part number	0070-04802IH
Auto-Pan	4		
Cruise	8		
Proportional Pan & Tilt	On / Off (Pan and tilt speed is proportional to zoom ratio)		
Resume after Power Loss	Yes		
Home Function	Preset, Sequence, Auto-Pan, Cruise		
Zone Title	16		
Network			
Network Interface	Ethernet (RJ45) 10/100Mbps		
Supported protocol	IPv4/v6, TCP/IP, UDP, RTP, STPS, HTTP, HTTPS, ICMP, FTP, SMTP, DHCP, PPPoE, Upnp, IGMP, SNMP, QoS		
Internet Browser	Internet Explorer (6.0+), Chrome, Firefox, Safari		
Password Levels	User / Administrator		
User Account	20		
Event Notification	HTTP, FTP, SMTP		
		Camera	
		1ch video management software	0063-99999
		Mini Gooseneck	0070-10002
		Corner Plate Mini	0070-10004
		In-Ceiling (T-Bar) Mount	0070-10011
		Pole Thin Direct Mounting	0070-10002
		Pole Wide Direct Mounting	0070-10003
		Vandal Proof Dome cover	0070-10013
		Ernitec EVR Go App	free download



We reserve the right to introduce product modifications without notice

Follow us on



© 2015 Ernitec. All rights reserved
www.ernitec.com

Ernitec
Tempovej 41
2750 Ballerup
Denmark

R06EN0715

Technical Specification Orion SX 812OPH

Camera		Lens	
Camera type	Outdoor PTZ day / night (ICR Type)	Lens type	Motorized with P-iris
Effective Pixels	1920 (H) x 1080 (V)	Focal Length	4.7 ~ 94 mm
Image Sensor	1/2.8" Sony Progressive Scan CMOS Sensor	Focus Mode	Auto / Manual
Electronic Shutter Speed	1~1/10.000 sec.	Iris Range	F1.6-360
Min. Illumination	0.9 Lux (Colour), 0.03 Lux (B/W), F1.6, 30IRE	Iris	Auto / Manual
Day/night switching	Mechanical IR-cut	FOV	45.7° (Wide) - 2.4° (Tele)
Video		General	
Video Compression	H.264 Main Profile and MJPEG	OnVif	Yes, OnVif profile S
Video Streaming	Multiple streams, H.264 + MJPEG / H.264 + H.264	Edge Storage	SD/ SDHC card slot (card is not included)
Frame Rate	30 fps @ 1080P 60 fps @ 720P	Audio	Two-way /G.711 /G.726
Resolution	Full HD1080p/ SXGA/ HD720p XGA/SVGA/ D1/ VGA/ CIF	Digital In/out	4 /2
Brightness	On / Off	Analog Video Output	1Vpp, 75Ω, PAL BNC connector class 2
AGC Control	Auto / Manual	Power Voltage	802.3at PoE+ (60W)/ AC 24V ± 10%
White Balance	Manual / AWB/ ATW	Power Consumption	Max. 24.W / 59.5W (w/ Heater)
Digital Zoom	Yes	Power Connector	3 pins terminal block / RJ45
WDR	Up to 75dB	Fan & Heater	Yes, (Heater only 24VAC)
2D / 3D Noise	On/Off	Environmental Casing	Weatherproof IP66
Privacy Zone	16	Languages	DE, ES, FR, IT, PT, RU, UK
Motion detection	On/Off	Sustained Operating Temperature	-45°C ~ 50°C (-49°F ~ 122°F)
Operation		Operating Temperature	-45°C ~ 60°C (-49°F ~ 140°F)
Pan Travel	360° endless	Absolute maximum 4 hours	
Tilt Travel	-10 ° ~ 190°	Humidity	10% ~ 90% RH
Manual Speed	0.5° ~ 90°/s	Dimensions	ø192 x 282mm
Presets	256	Weight (Net)	Approx. 2320g
Preset Resolution	0.225°	Warranty	3 years
Preset Speed	Preset Speed	Included accessories	Installation and Management software DVD, 230VDC 3A PSU, 75W POE Injector.
Sequence	8	Part number	0070-04822
Auto-Pan	4	Optional accessories	
Cruise	8	1ch video management software	0063-99999
Proportional Pan & Tilt	On / Off (Pan and tilt speed is proportional to zoom ratio)	Mini Gooseneck	0070-10002
Resume after Power Loss	Yes	Corner Plate Mini	0070-10004
Home Function	Preset, Sequence, Auto-Pan, Cruise	In-Ceiling (T-Bar) Mount	0070-10011
Zone Title	16	Pole Thin Direct Mounting	0070-10002
Network		Pole Wide Direct Mounting	0070-10003
Network Interface	Ethernet (RJ45) 10/100Mbps	Vandal Proof Dome cover	0070-10013
Supported protocol	IPv4/v6, TCP/IP, UDP, RTP, STPS, HTTP, HTTPS, ICMP, FTP, SMTP, DHCP, PPPoE, Upnp, IGMP, SNMP, QoS	Ernitec EVR Go App	free download
Internet Browser	Internet Explorer (6.0+), Chrome, Firefox, Safari	<div style="border: 1px solid black; padding: 10px; width: fit-content; margin: 0 auto;"> DISTRIBUTED BY </div>	
Password Levels	User / Administrator		
User Account	20		
Event Notification	HTTP, FTP, SMTP		



We reserve the right to introduce product modifications without notice

Follow us on



© 2015 Ernitec. All rights reserved
www.ernitec.com

Ernitec
Tempovej 41
2750 Ballerup
Denmark

R06EN0715