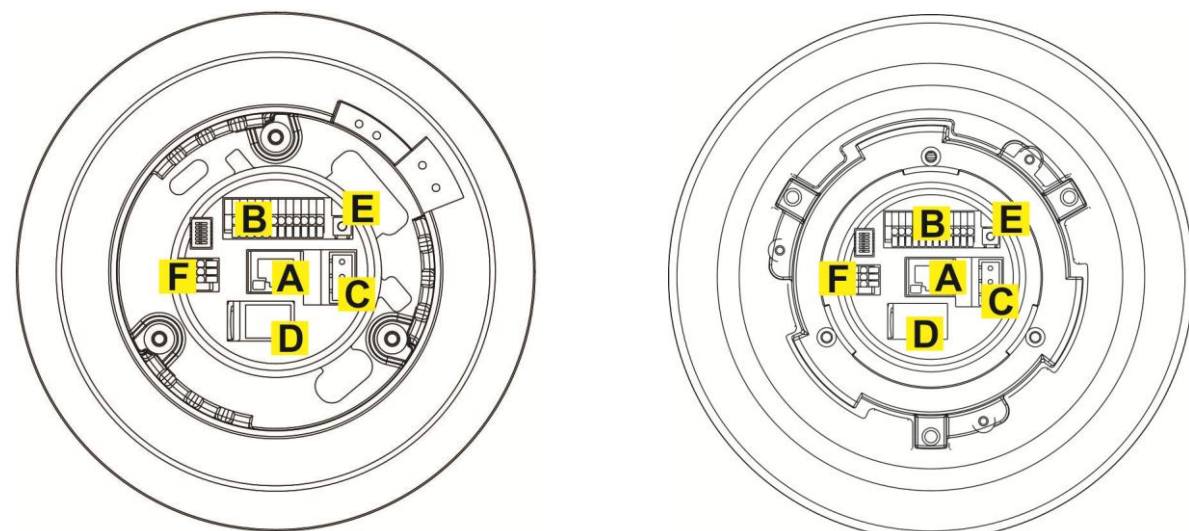


Ernitec Orion SX Quick Guide

This Quick Guide is for quick installing and connecting the network Speed Dome IP Camera. For details, please refer to the camera's User Manual and Installation Guide.

Switch Definition



Indoor

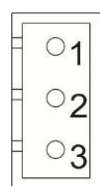
Outdoor

A	RJ-45 Connector
B	ALARM I/O
C	Power
D	Micro SD Card Slot
E	Factory Reset Button
F	Audio I/O

Power & Audio Connector Definition

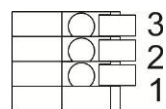
Please refer to the illustrations below to connect power core through the supplied power adaptor, and set up the audio according to the Audio pin definition.

Power Connector



Pin	Definition
1	AC 24_1
2	FG
3	AC 24_2

Audio Connector



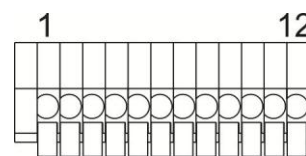
Pin	Definition
1	LINE_OUT
2	GND
3	LINE_IN



To power up the Camera, please connect the Ethernet cable to the Camera's Ethernet Port and plug the other end of the cable into an IEEE 802.3at High Power over Ethernet (PoE Plus) Switch. If there is a need to operate the Heater for Outdoor Models, please plug the AC 24V cable into the Camera's Power Connector to power up the Camera instead.

Alarm I/O Connector Definition

When cabling, please refer to the table below for pin definition of the Alarm I/O setting



Pin	Definition
1	ALARM_OUT_NO_1
2	ALARM_OUT_NC_1
3	ALARM_OUT_COM_1
4	GND
5	ALARM_OUT_NO_2
6	ALARM_OUT_NC_2

Pin	Definition
7	ALARM_OUT_COM_2
8	GND
9	ALARM_IN_4
10	ALARM_IN_3
11	ALARM_IN_2
12	ALARM_IN_1

Before Login to the Camera

A client program will be automatically installed on your PC when connecting to the network Speed Dome Camera. Before logging in to the Dome Camera, please ensure downloading the ActiveX control is allowed by either changing the ActiveX controls and plug-ins or setting Internet's security level to default. For further details, please refer to the network Speed Dome Camera's Software Guide.

ActiveX Controls and Plug-ins Settings	Internet Security Level
<p>Step 1: Start the Internet Explorer (IE).</p> <p>Step 2: Select <Tools> from the main menu of the browser. Then Click <Internet Options>.</p> <p>Step 3: Click the <Security> tab and select "Internet", and click <Custom level> to change ActiveX settings.</p> <p>Step 4: Set "ActiveX controls and plug-ins" items to <Prompt> or <Enable>.</p>	<p>Step 1: Start the IE.</p> <p>Step 2: Select <Tools> from the main menu of the browser. Then Click <Internet Options>.</p> <p>Step 3: Click the <Security> tab and select "Internet."</p> <p>Step 4: Down the page, press "Default Level" and click "OK" to confirm the setting. Close the browser window, and open a new one later for accessing the IP Camera</p>

Camera Login

The network Speed Dome Camera's default IP address is: **192.168.0.250**. Therefore, to access the camera for the first time, set the PC's IP address as: 192.168.0.XXX; for example:

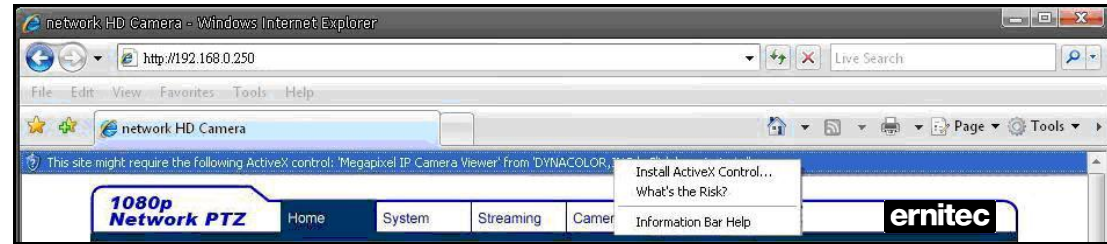
IP Address: 192.168.0.100
Subnet Mask: 255.255.255.0

Login ID & Password

- Key in the camera's IP address in the URL bar of the Web browser window and press "Enter."
- Enter the default user name (**Admin**) and password (**1234**) in the prompt request dialogue. Note that user name is case sensitive.

Install the ActiveX Control

- After connecting to the network Speed Dome Camera, the request for installing the ActiveX control will appear just below the URL bar.
- Right Click on the information bar, and click "Install ActiveX Control..." to permit ActiveX control installation.



- In the pop-up security warning window, click “Install” to start downloading DC Viewer software on the PC.
- Click “Finish” after DC Viewer installation is complete.

Browser-based Viewer

The main page of the network Speed Dome Camera user interface is as shown below.



Ernitec Orion SX Quick Guide