



Vandal Resistant Dome

Mercury Analog Dome Series

- 600/700 TVL
- WDR
- 2.8-12mm Vari-focal Lens
- 15M IR Light Option
- Vandal Resistant
- 1/3" High Sensitivity Sensor
- OSD
- Privacy Masking
- 4 year Warranty

1/3" Sensor

The 5th generation of Mercury Series dome cameras incorporates a new 700TVL image sensor offering excellent colour reproduction and low light sensitivity.

WDR

The Mercury range also offers the latest Wide Dynamic Range feature making this range ideal for surveillance in areas with strong variations in light, for instance close to large windows and entrances or where the sunlight creates both very bright zones and dark shadows.

Vari-Focal Lens

The Mercury dome camera comes with an improved 2.8-12mm vari-focal lens ensuring that the camera's angle of view is optimized for the area to be monitored, giving contrast and clarity in the depth of field and optimising image resolution.

Improved IR Technology

The Mercury 5 IR model incorporates the latest improvements in IR technology offering up to 15 meters distance.

Masking

Up to 8 privacy masking zones can be set using the on screen display (OSD). Other features include motion detection and Defog settings in the camera.

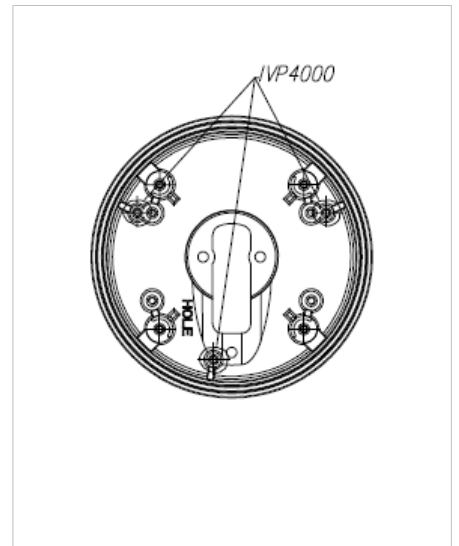
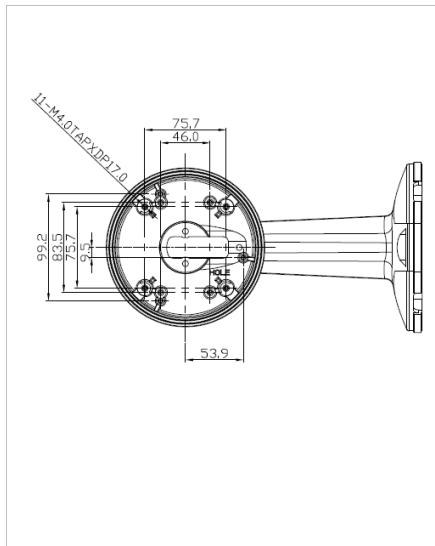
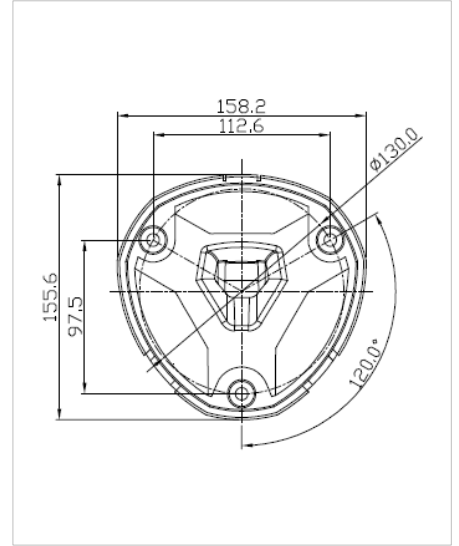
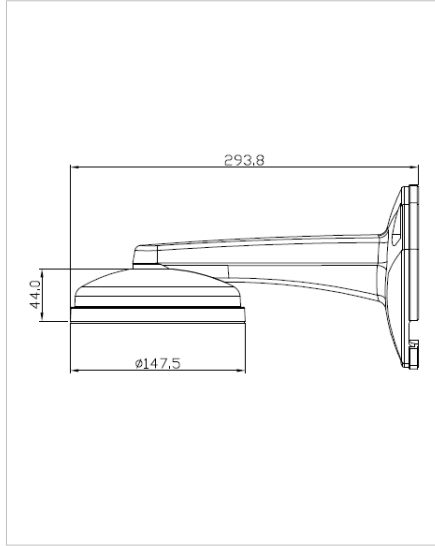
Protection

The Mercury series offers IP66 protection against dust, rain and snow and can operate in extreme cold temperatures. The **camera's** extreme cold control function ensures safe start-up from -40 °C with an operational temperature range of -40°C ~ +50°C

Optional Mounting Accessories

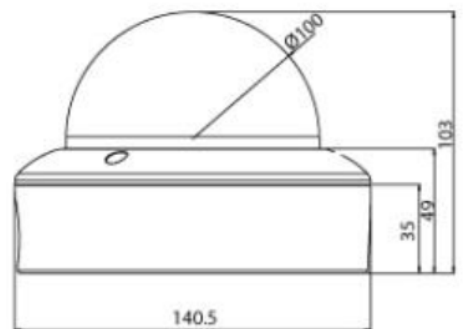
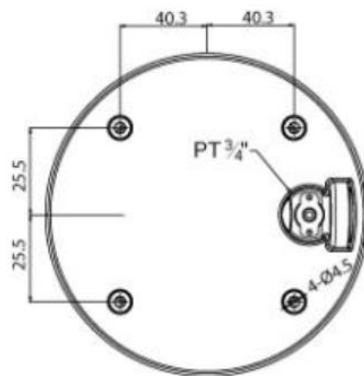
Mercury Wall Bracket

Wall Bracket Mercury 4/5
Part number 0017-06202



Mercury Housing

Mercury housing drawing with dimensions.



Technical Specification

Model	Mercury 4
Camera type	Electronic Day/Night
Video Output	1Vpp, 75Ω, PAL Composite
UTP transmitter	Yes, passive
Image Sensor	1/3" SONY SuperHAD CCD II sensor
Scanning System	2 :1 Interlace / H :15.625KHz , V : 50.0Hz
Total / effective pixels	470H x 440V
Horizontal Resolution	Colour : 600 TVL, B/W: 650 TVL
Sensitivity, 30 IRE, F2.0	Colour : 0.05 lux , B/W : 0.005 lux
S/N Ratio	>52 dB (AGC OFF)
Shutter speed	1/50 – 1/120.000 sec.
Synchronisation	50 Hz, internal
Lens	2.8 – 12 mm DC Iris, F1.2
IR Corrected lens	Yes
IR Cut filter	Yes, mechanically removed
Adjustment	4-axis (pan, tilt, rotate)
OSD	English, Czech, French, German, Greek, Hungarian, Italian, Polish, Portuguese, Spanish, Turkish
Privacy Masking	4 programmable zones
Mirror function	Horizontal
AGC	On / Off 0-20
Defog	Off, Low, Middle , High
BLC	Off, Low, Middle , High
White Balance	Auto / Set
Flickerless	On/Off
Digital Noise Reduction	Off, Low, Middle, High
IR LED / Sensor	No
IR LED Lighting Distance	No
Heater	No
Heater activation temperature	No
Voltage Range	12VDC
Power Consumption	3.6W
Operating temperature and humidity	-10°C to +50°C, 30 - 80% R.H.
Storage temperature and humidity	-20°C to ~ +55°C, 0 - 90% R.H.
Overall Camera Dimensions	Height 102mm (4.02") Diameter 140mm (5.51")
Weight	Approx. 1250 g.
Part number	0017-06012
Optional accessories:	Wall bracket. Part number 0017-06202
Optional accessories:	Power supplies 24V/36WA. Part number 0017-05229
Optional accessories:	MERCURY/2,3 & 4 DOME BUBBLE 0017-06200

DISTRIBUTED BY



We reserve the right to introduce product modifications without notice

Follow us on



© 2015 Ernitec. All rights reserved
www.ernitec.com

Ernitec
Tempovej 41
2750 Ballerup
Denmark

RO3EN0215

Technical Specification

Model	Mercury 5 IR
Camera type	True Day/Night with IR-LED
Video Output	1Vpp, 75Ω, PAL Composite
Image Sensor	1/3" SONY XWDR High Sensitivity CCD sensor
Scanning System	2 :1 Interlace / H :15.625KHz , V : 50.0Hz
Total / effective pixels	967H x 582V
Horizontal Resolution	700 TVL
Sensitivity, 30 IRE, F2.0	Color: 0.05 Lux , B/W 0.00Lux (IR on)
S/N Ratio	>52 dB (AGC OFF)
Shutter speed	1/50 – 1/120.000 sec.
Synchronisation	50 Hz, internal
Lens	2.8 – 12 mm DC Iris, F1.2
IR Corrected lens	Yes
IR Cut filter	Yes, mechanically removed
Adjustment	4-axis (pan, tilt, rotate)
OSD	English, Czech, French, German, Greek, Hungarian, Italian, Polish, Portuguese, Spanish, Turkish
Privacy Masking	8 programmable zones
Motion Detection	4 programmable zones
Mirror function	Horizontal
AGC	On / Off 0-20
Defog	Off, Low, Middle , High
BLC	Off, Low, Middle , High
White Balance	Auto / Set
Flickerless	On/Off
Digital Noise Reduction	Off, Low, Middle, High
IR LED / Sensor	IR LEDs (850nm, 45°) 20EA & Sensor
IR LED Lighting Distance	Max 15m
Heater	Yes, requires 24 VAC
Heater activation temperature	10°C internal temperature
Voltage Range	20-28 VAC
Power Consumption	4.8W + 10W for heater
Operating temperature and humidity	-10°C to +50°C, 30 - 80% R.H. (w/o heater) -20°C to +50°C, 30 - 80% R.H. (w heater)
Storage temperature and humidity	-20°C to ~ +55°C, 0 - 90% R.H.
Overall Camera Dimensions	Height 102mm (4.02") Diameter 140mm (5.51")
Weight	Approx. 844 g.
Part number	0017-06211
Optional accessories:	Wall bracket. Part number 0017-06202
Optional accessories:	Power supplies 24V/36WA. Part number 0017-05229
Optional accessories:	PVT-120V, passive video transceiver. Part number 0040-01304

DISTRIBUTED BY



We reserve the right to introduce product modifications without notice

RO3EN0215

Follow us on



© 2015 Ernitec. All rights reserved
www.ernitec.com

Ernitec
Tempovej 41
2750 Ballerup
Denmark