



## Ernitec Hydra DB series

- Professional VMS
- Multi-Streaming
- Plug & Play
- Windows WES7
- Expandable
- Built in PSU
- Over 2000 Native Cameras Drivers
- OnVif
- 3 year Warranty

### Hydra DB series

Hydra is the new multi streaming NVR from Ernitec, we have combined our class leading EVR software with an embedded all on one box solution that has all of the benefits of a plug n play NVRs with none of the drawbacks.

### Real VMS on Board

Unlike other units in class our NVR has VMS software that you can actually use. Offering a host of features we have all come to expect from our video systems over the years.

### Huge Camera Integration List

The Hydra, can integrate with over 2000 camera with native SDK integration offering the full features of the cameras not just the normal OnVif integration. Of course you can use OnVif cameras opening up to almost limitless choice of camera integration.

### Multi-Streaming

This extremely important feature enables the Hydra to record in high resolution and stream multi-screen images to the local monitors, the multi streaming enables a second or even third stream resolution choices to the programmer meaning the load to the local monitor is reduced enabling more streams to be viewed.

### Plug & Play

We have created software for the Hydra, that enables you to easily set up your video system in essence plug & play. Using the Ernitec Device search you can connect all your cameras to the switch search for them independent of the network settings then make a batch network set up which automatically sets up the IP addresses, then import these cameras in one go through the VMS. With the correct training you can have Hydra system up and running in minutes.

## EasyMon

Intuitive and easy to use EasyMon application for local or remote monitoring, searching, playback and export of video content for external analysis.



## Huge Camera Integration List

The Hydra series, can integrate with over 2000 camera with native SDK integration offering the full features of the cameras not just the normal OnVif



# Hydra Features

## Powerful Multi-Streaming

With the power of multi streaming we have a world beating recorder offering viewing and recording all from the same unit, we can offer full HD recording with HD streams for the local and remote clients and D1 resolution to you mobile device. Sensibly dividing the streaming between devices massively reduces the load on the system and give outstanding figures.



## High performance live data base

The Hydra series runs with a full data base making this recorder one of the fastest on the planet, you can instantly retrieve video though the whole recording period, making fast retrieval and seamless high speed playback and rewind possible. This gives the user a true video recorder feel to the unit and massively increases the time to find incidents.

## SDD Secure Data Distribution

Each Hydra comes with a disc for storage, with the addition of an extra disc you can secure your video data using the unique SDD feature. The Ernitec SDD technology distributes video frames evenly between disks. A single drive failure would thus only decrease the frames on a video clip and not leave any large blank areas during the storage interval. For forensic research a well-placed, good resolution camera gives practically the same success rate with a low frame rate as a video with a higher frame rate – meaning that the risk of not being able to analyse an event due to a failed hard disk becomes close to zero.



# Hydra Features

## Video analytics software

Airports, bus and train stations, bars and clubs, car parks, retails stores and shopping malls, museums and tourist attractions, sports stadia and leisure facilities - just some of the environments where video analytics can offer a cost effective, robust and highly accurate solution.



People COUNT software

VCA Count license for 1 camera. An addition to the VCA license, offering the upgrade to people counting engine in the VCA platform.  
Partno: 0063-99989



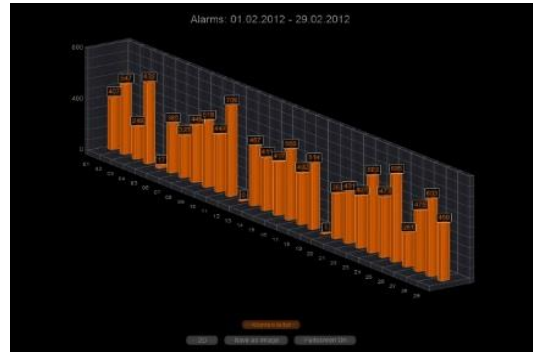
ANPR+ software

Automatic number plate recognition for 4 channels, incl. Engine, Black- & White list management application.  
Partno: 0063-99987



Video Content Analytics

VCA single channel license offering VCA to any analog or IP camera connected to the EVR VMS. Includes Trip wire, Direction filter, Removed object detection, Human & vehicle detection, Speed filter and Abandoned object functions. Unique easy to use 3D calibration, enter and exit filters.  
Partno: 0063-99988



Reporting Tools

Software data mining tool for system administrators and retail users to analyse data from the CCTV server (XMC). The tool can be used to obtain information from VCA, people counting and ANPR systems within the server providing more detailed feed back to the system user.  
Partno: 0063-99990

The Hydra EVR Pro Plus license need to be upgraded to EVR Enterprise channels

Follow us on



© 2015 Ernitec. All rights reserved  
www.ernitec.com

Ernitec  
Tempovej 41  
2750 Ballerup  
Denmark

# Hydra Features

## Expansion

When designing a CCTV system you try to cover all angles and offer the best solution to a customer, however more often than not when a customer sees the quality of the megapixel cameras that have been installed customers will come back and ask for more cameras. If you have purchased a Linux box NVR solution this means you have add a whole new unit just for maybe one of two more cameras. This is not the case with the Hydra, if you want to upgrade you simply add the extra licenses you want to increase the system size. We have three standard sizes the Hydra DB5, DB9 & DB17, all of which can be expanded with licenses and hard drives to increase the system size with minimum cost and disruption to you and your customer.



## Hydra Upgrades & Extension Part Numbers

### EVR-HYDRA CHANNEL

Hydra single channel license  
5 users, 1 Hydra.  
expansion max 32 channels.  
Partno: 0063-99949

### PRO-ENTERPRISE UPGRADE

Software upgrade from Pro to  
Enterprise version for 1 channel.  
To run enterprise all Hydra  
channels need to be upgraded.  
Partno: 0063-99996

### ENTERPRISE CHANNEL

Hydra Enterprise single channel  
license 10 users, 5 Hydras.  
expansion max 32 channels.  
Partno: 0063-99999

### MASTER HYDRA EXTENSION

Master server license for  
additional Hydras from 6 to 20  
and 20 users for EVR Enterprise.  
Active directory integration.  
Partno: 0063-99995

### HYDRA EXTENSION

Master Hydra extension license  
for additional 10 Hydras on top of  
0063-99995 use this part number  
to increase in steps of 10 to 150  
Part no: 0063-99994

### USER EXTENSION

License for additional 10 users in  
VMS Pro and VMS Enterprise.  
Partno: 0063-99993

### VIDEO ANALYCTICS CHANNEL

VCA Surveillance License,  
enterprise license required to run  
Video Analytics.  
Partno: 0063-99988

### ANPR

4 Channel ANPR Base License  
Enterprise license required to run  
ANPR  
Partno: 0063-99987

### REPORTING TOOL

Data mining tool for system  
administrators Enterprise license  
required to run Reporting Tool  
Partno: 0063-99990

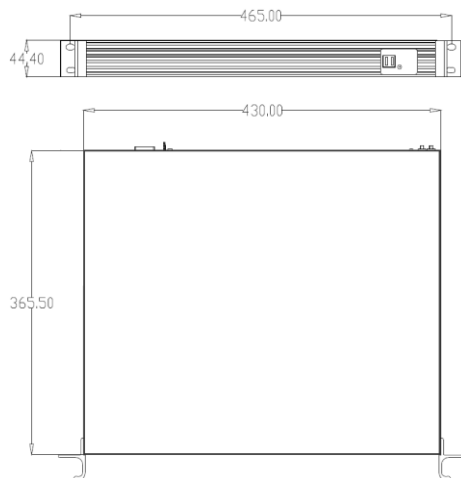
# Technical Specification Hydra DB5

System	
Form factor	1U Rack/ Desktop
CPU	Intel i5
System memory	8 GB
Storage <sup>1</sup>	2TB (up to 4TB)
Recording frame rate at resolution 1280 x 720	Up to 1000/sec in H.264
Number of camera input <sup>1</sup>	5
OS and Video Management System	WES7, EVR Pro Plus
Solid state drive	60GB for OS and VMS software
System rear I/O	2x GbE RJ45 2x USB 3.0 2x USB 2.0 2x COM ports 1x Display Port 1x HDMI 1x DVI-I 1x Line-out / MIC-in / Line-in
front I/O	2x USB 2.0
Dual network card	Yes
Dual Monitor output <sup>2</sup>	Yes
Automatic camera finder <sup>3</sup>	Yes
Edge storage synch camera support <sup>3</sup>	Yes
Multi-streaming camera support	Yes
Multiple video export formats	Yes
Alarm Management	Yes
3rd-party camera support	Yes
Onvif supported cameras	Yes
PTZ camera support	Yes
Codecs supported	H.264, MPEG-4, MJPEG
Maximum number of users <sup>1</sup>	5
Maximum number of servers <sup>1</sup>	1
EVR VCA support	License option
EVR ANPR+	License option
App for smartphones/ tablets	ERV GO for IOS/ android

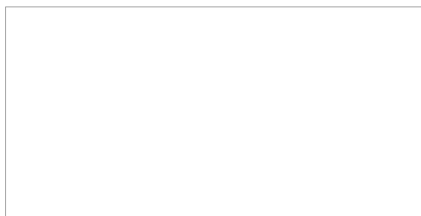


General	
Unit Dimension (W x H x D)	465 x 44,4 x 365,5mm (1U 19")
Unit Weight (without storage)	11.0 kg
Package Dimension (W x H x D)	505x 145,5 x 620mm
Package Weight (without storage)	12.0 kg
Operation temperature	+5°C to +40°C
Operation humidity	10% to 90%
Power requirements	100V -240V AC/50-60Hz/300W
Power unit	Internal PSU
Languages	Arabic, Danish, Dutch, English, Estonian, Finnish, French, German, Hungarian, Icelandic, Italian, Norwegian, Polish, Portugese, Russia, Spanish, Swedish
warranty	3 years
Included accessories	Quick guide, User Manual, Schuko power cable
Part Number	0064-01905

Optional accessories	
1 Channel Hydra license increase	0063-99949
Storage upgrade to total 4TB	HDD-2000GB
RACK mounting rails	0064-01901



DISTRIBUTED BY



We reserve the right to introduce product modifications without notice

1. Upgrade is available
2. Using different cables can cause small differences on monitor images
3. Camera dependent

Follow us on



© 2015 Ernitec. All rights reserved  
www.ernitec.com



Ernitec  
Tempovej 41  
2750 Ballerup  
Denmark

ROZEN0515

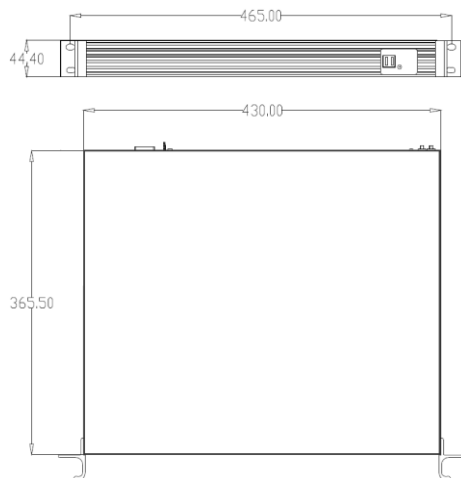
# Technical Specification Hydra DB9

System	
Form factor	1U Rack/ Desktop
CPU	Intel i5
System memory	8 GB
Storage <sup>1</sup>	4TB (up to 8TB)
Recording frame rate at resolution 1280 x 720	Up to 1000/sec in H.264
Number of camera input <sup>1</sup>	9
OS and Video Management System	WES7, EVR Pro Plus
Solid state drive	60GB for OS and VMS software
System rear I/O	2x GbE RJ45 2x USB 3.0 2x USB 2.0 2x COM ports 1x Display Port 1x HDMI 1x DVI-I 1x Line-out / MIC-in / Line-in
front I/O	2x USB 2.0
Dual network card	Yes
Dual Monitor output <sup>2</sup>	Yes
Automatic camera finder <sup>3</sup>	Yes
Edge storage synch camera support <sup>3</sup>	Yes
Multi-streaming camera support	Yes
Multiple video export formats	Yes
Alarm Management	Yes
3rd-party camera support	Yes
Onvif supported cameras	Yes
PTZ camera support	Yes
Codecs supported	H.264, MPEG-4, MJPEG
Maximum number of users <sup>1</sup>	5
Maximum number of servers <sup>1</sup>	1
EVR VCA support	License option
EVR ANPR+	License option
App for smartphones/ tablets	ERV GO for IOS/ android

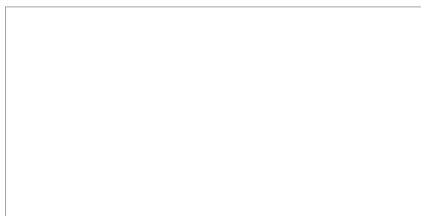


General	
Unit Dimension (W x H x D)	465 x 44,4 x 365,5mm (1U 19")
Unit Weight (without storage)	11.0 kg
Package Dimension (W x H x D)	505x 145,5 x 620mm
Package Weight (without storage)	12.0 kg
Operation temperature	+5°C to +40°C
Operation humidity	10% to 90%
Power requirements	100V -240V AC/50-60Hz/300W
Power unit	Internal PSU
Languages	Arabic, Danish, Dutch, English, Estonian, Finnish, French, German, Hungarian, Icelandic, Italian, Norwegian, Polish, Portugese, Russia, Spanish, Swedish
warranty	3 years
Included accessories	Quick guide, User Manual, Schuko power cable
Part Number	0064-01909

1 Channel Hydra license increase	
1 Channel Hydra license increase	0063-99949
Storage upgrade to total 8TB	HDD-4000GB
RACK mounting rails	0064-01901



DISTRIBUTED BY



We reserve the right to introduce product modifications without notice

1. Upgrade is available
2. Using different cables can cause small differences on monitor images
3. Camera dependent

Follow us on



© 2015 Ernitec. All rights reserved  
www.ernitec.com



Ernitec  
Tempovej 41  
2750 Ballerup  
Denmark

RO1EN0515

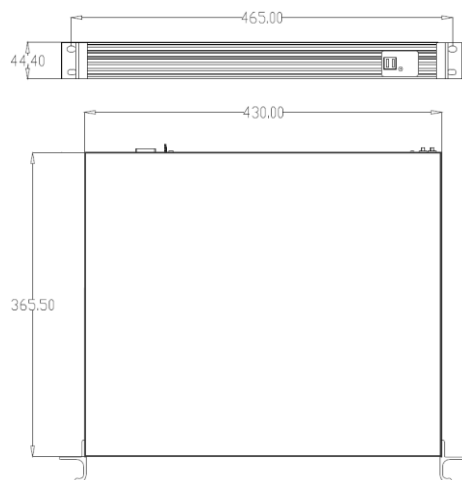
# Technical Specification Hydra DB17

System	
Form factor	1U Rack/ Desktop
CPU	Intel i5
System memory	8 GB
Storage <sup>1</sup>	6TB (up to 12TB)
Recording frame rate at resolution 1280 x 720	Up to 1000/sec in H.264
Number of camera input <sup>1</sup>	17
OS and Video Management System	WES7, EVR Pro Plus
Solid state drive	60GB for OS and VMS software
System rear I/O	2x GbE RJ45 2x USB 3.0 2x USB 2.0 2x COM ports 1x Display Port 1x HDMI 1x DVI-I 1x Line-out / MIC-in / Line-in
front I/O	2x USB 2.0
Dual network card	Yes
Dual Monitor output <sup>2</sup>	Yes
Automatic camera finder <sup>3</sup>	Yes
Edge storage synch camera support <sup>3</sup>	Yes
Multi-streaming camera support	Yes
Multiple video export formats	Yes
Alarm Management	Yes
3rd-party camera support	Yes
Onvif supported cameras	Yes
PTZ camera support	Yes
Codecs supported	H.264, MPEG-4, MJPEG
Maximum number of users <sup>1</sup>	5
Maximum number of servers <sup>1</sup>	1
EVR VCA support	License option
EVR ANPR+	License option
App for smartphones/ tablets	ERV GO for IOS/ android

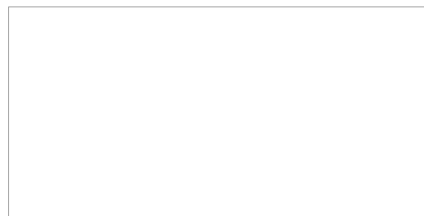


General	
Unit Dimension (W x H x D)	465 x 44,4 x 365,5mm (1U 19")
Unit Weight (without storage)	11.0 kg
Package Dimension (W x H x D)	505x 145,5 x 620mm
Package Weight (without storage)	12.0 kg
Operation temperature	+5°C to +40°C
Operation humidity	10% to 90%
Power requirements	100V -240V AC/50-60Hz/300W
Power unit	Internal PSU
Languages	Arabic, Danish, Dutch, English, Estonian, Finnish, French, German, Hungarian, Icelandic, Italian, Norwegian, Polish, Portugese, Russia, Spanish, Swedish
warranty	3 years
Included accessories	Quick guide, User Manual, Schuko power cable
Part Number	0064-01917

Optional accessories	
1 Channel Hydra license increase	0063-99949
Storage upgrade to total 12TB	HDD-6000GB
RACK mounting rails	0064-01901



DISTRIBUTED BY



We reserve the right to introduce product modifications without notice

1. Upgrade is available
2. Using different cables can cause small differences on monitor images
3. Camera dependent

Follow us on



© 2015 Ernitec. All rights reserved  
www.ernitec.com



Ernitec  
Tempovej 41  
2750 Ballerup  
Denmark

RO1EN0515