



EasyView Joystick

EVR-JoyStick

- Plug and Play with EasyView
- Accurate control of PTZ cameras
- Professional design
- 3 Axis Joystick
- 3 year Warranty

Joystick

EasyView Video Surveillance Joystick gives responsive and accurate control of all Ernitec PTZ and non Ernitec PTZ dome network cameras connected to the EasyView VMS platform.

3 Axis Joystick

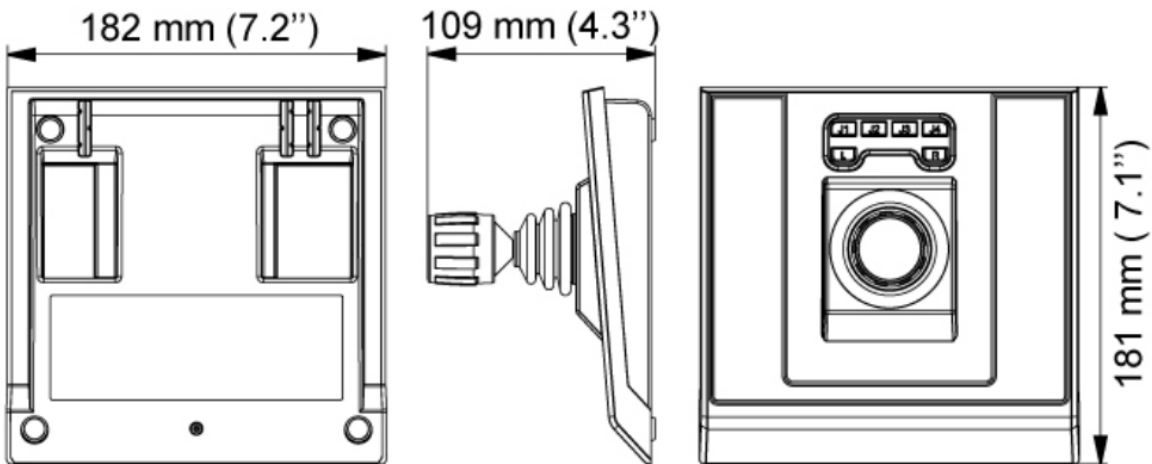
The units are designed for both left hand and right hand use. The EasyView Joystick is a 3-axis joystick with a turn knob and six application defined hotkeys.

Technical Specification

Joystick	
EasyView Joystick	Video Surveillance Joystick
General	
Power Via USB interface	Power Via USB interface
Casing Polycarbonate ABS	Casing Polycarbonate ABS
Operating conditions	0 °C to 60 °C (32 °F to 140 °F)
Interface	USB 1.1/2.0/3.0 compliant
Approvals	EN 55022 Class B, EN 55024, EN 61000-6-2, FCC Part 15 Subpart B Class B, C-tick AS/NZS CISPR 22 Class B, VCCI Class B, ICES-003 Class B, IEC/EN 60529 IP20
System requirements	Windows XP/Vista/7 or 8/2000-/2003- or 2012 Server, USB 2.0 port
Compatible products	Ernitec network video cameras, Ernitec VMS

Joystick	
Functionality	Hall-effect joystick with three axis: X/Y: for pan and tilt Z: knob for zoom 6 application defined hotkeys
Deflection	Square delimiter Pan/Tilt (XY): ±15° Zoom (Z): ±25°
Dimensions	109 x 182 x 181 mm (4.3 x 7.2 x 7.1 in)
Weight	730 g (1.6 lb)
Connectors	USB Type B
Included accessories	1 x USB cable 200 cm (78.7 in) for connection to PC, User's Guide

Dimensions



DISTRIBUTED BY



We reserve the right to introduce product modifications without notice

Follow us on



© 2015 Ernitec. All rights reserved
www.ernitec.com

Ernitec
Tempovej 41
2750 Ballerup
Denmark

RO3EN0115