



Ultra Wide Dynamic Range

Mercury DX-305IR

- 5MP @ 10fps
- Ultra WDR 115dB
- Motorised P-Iris Lens
- 30M IR
- POE (IEEE 802.3at)
- Vandal Resistant
- Quad Stream
- OnVif
- 4 year Warranty

Hi Performance Sensor

The Mercury DX Series incorporates a 5MP CMOS image sensor which is specially designed for security applications and includes state-of-the-art image enhancement technologies offering excellent colour reproduction.

Ultra WDR

The Mercury DX range also offers the latest multi shuttering Ultra-Wide Dynamic Range feature making this range ideal for surveillance in areas with strong variations in light, for instance close to large windows and entrances or where the sunlight creates both very bright zones and dark shadows.

Motorised P-Iris Lens

Remote zoom and focus feature enables convenient focusing over the network together with the special P-Iris lens, eliminating the need for hands-on fine tuning. This remote adjustment functionality greatly speeds up installation time and ensures that the camera's angle of view is optimized for the area to be monitored giving contrast and clarity in the depth of field and optimising image resolution.

Improved IR Technology

The Mercury DX series, incorporates the latest improvements in IR technology offering up to 30 meters distance.

Hi-POE

The new DX series comes with optional High Power over Ethernet (PoE+) meaning the heater in the camera no longer needs to be powered locally, this feature once again simplifies installation since only one cable is needed to carry power for the camera, heater as well as video signal.

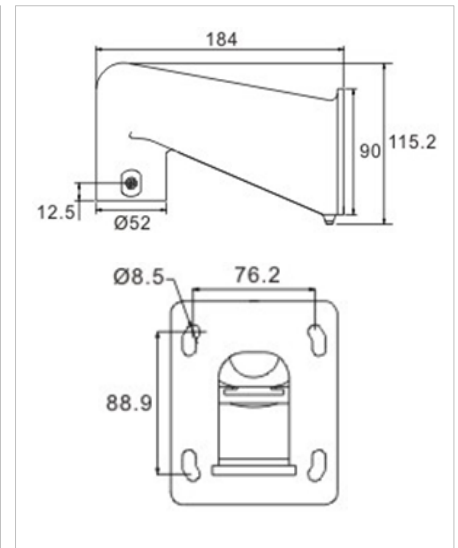
Protection

The Mercury DX series offers IP66 protection against dust, rain and snow and can operate in extreme cold temperatures. The cameras' extreme cold control function ensures safe start-up from -40 °C with an operational temperature range of -40°C ~ +50°C (POE+)

Optional Mounting Accessories

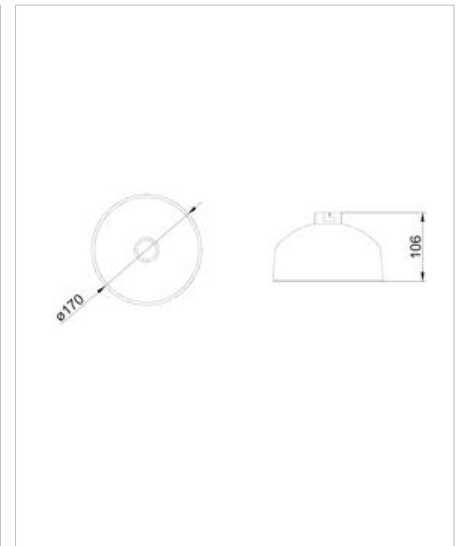
Mini Gooseneck Mount

Dimensions: 184×104×115.2 mm
Weight: 0.6 kg
Supplied with rubber washer and 4x M8x12 screw .
Part number 0070-10007



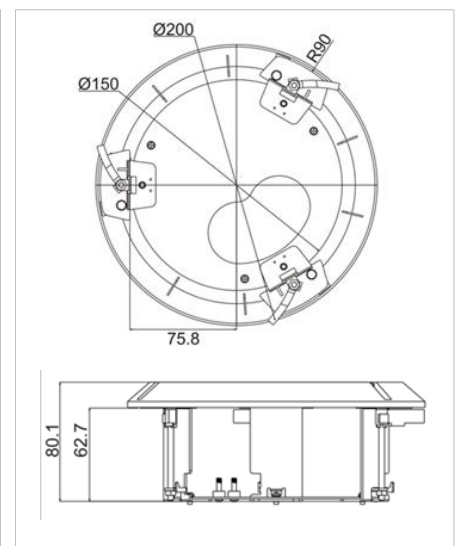
Mini Pendant Housing

Combine with Mini Goose neck for wall mounting.
Diameter: Ø160 mm
Weight: 0.5 kg
Part number 0070-10008



In-Ceiling (T-Bar) Mount

For In-Ceiling Installation.
Height: 80.1 mm
Diameter: Ø150 / Ø200 mm
Weight: 0.8 kg
Part number 0070-10009



Follow us on



ONVIF

© 2015 Ernitec. All rights reserved
www.ernitec.com

Ernitec
Tempovej 41
2750 Ballerup
Denmark

RO3EN0515

Optional Mounting Accessories

Pole Mount Thin

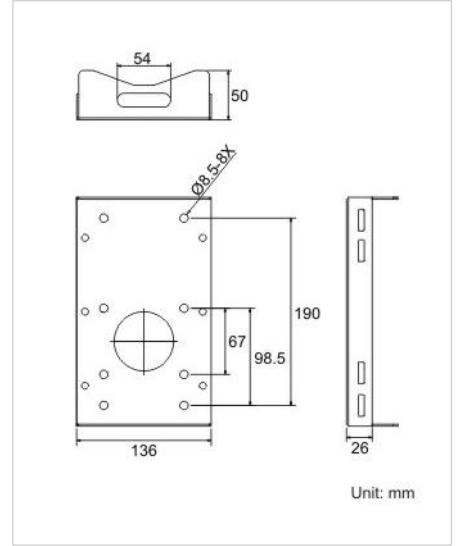
Dimensions: 232×136×60 mm

Diameter: 112~130 mm

Weight: 0.7 kg

Supplied with stainless steel straps x4, M8x16 screw x4, washer x4 and spring washer-8 x4.

Thin: Part number 0070-10002



Pole Mounting Wide

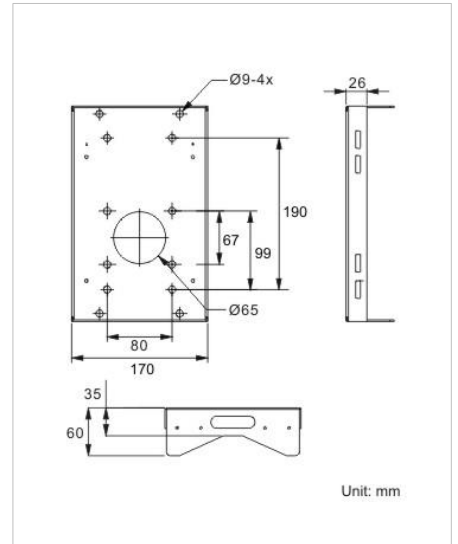
Dimensions: 270×170×60 mm

Diameter: 112~140 mm

Weight: 1 kg

Supplied with M8x16 screw x4, washer x4, stainless steel straps x4 and spring washer-8 x4.

Part number 0070-10003



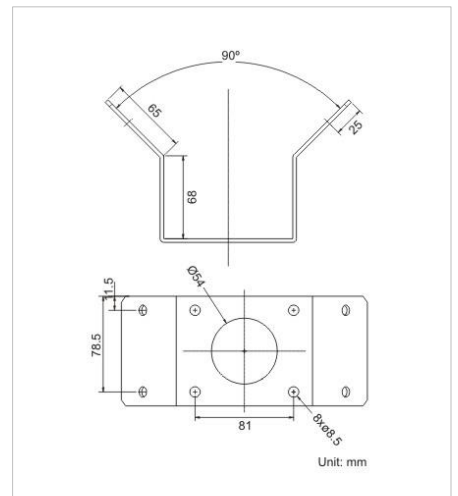
Mini Corner Plate

For mounting with Mini Gooseneck

Dimensions: 270×166×95 mm

Supplied with washer-8 x4, spring washer-8 x4, M8x16 screw x4 and M8 nut x4.

Part number 0070-10004

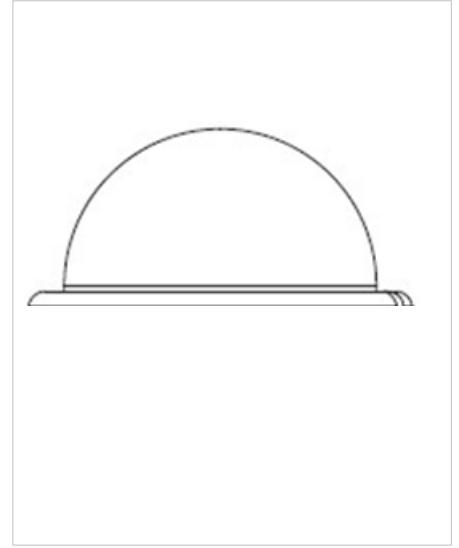


Optional Mounting Accessories

Mercury dome cover

Clear dome cover

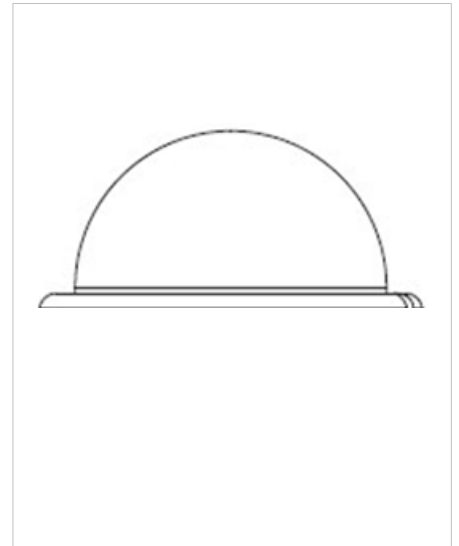
Thin: Part number 0070-10006



Mercury dome cover

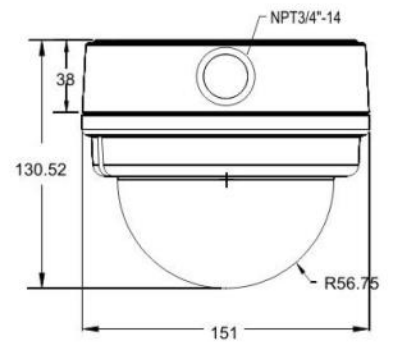
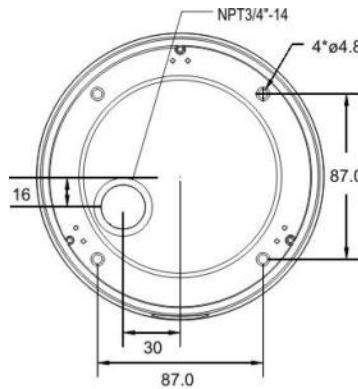
Smoke dome cover

Part number 0070-10005



Mercury Housing

Mercury housing drawing with dimensions.



Unit: mm

RO3EN0515

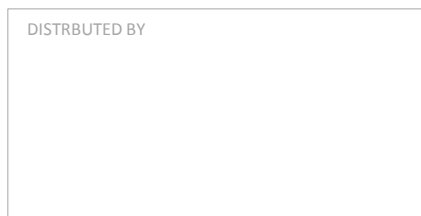
Technical Specification Mercury DX-305IR

Camera	
Camera type	Dome day / night (ICR Type)
Effective Pixels	2592(H) x 1944(V)
Image Sensor	1/2.5" Progressive CMOS
Electronic Shutter Speed	1~1/10.000 sec.
Min. Illumination	0.02 lux (Colour)/ 0.002 lux (B/W) F1.2, 30IRE
Day/night switching	Mechanical IR-cut
Lens	
Lens type	Motorized Autofocus
Focal Length	3 ~ 9 mm
F. number	F1.2 (wide), F2.1(tele)
Iris	P- iris
FOV	135.6° (Wide); 45.5° (Tele)
Video	
Video compression	H.264/MJPEG
Video Stream	2592 x 1944@10fps Dual / 1080p@25fps H.264 + D1@25fps H.264/MJPEG
Resolution	2592x1944, 2048x1536, Full HD 1080P / SXGA / HD 720P / XGA / SVGA / D1 / VGA / CIF / QCIF@60fps or 30fps (UWDR)
Single stream	H.264 2592 x 1944@10fps
Multiple streams	Quad Stream:
Brightness	Manual
Exposure	Auto / Manual
Sharpness	Manual
Contrast	Manual
White Balance	Manual / AWB/ ATW
Saturation	Manual
Hue	Manual
Digital Zoom	Yes
Ultra WDR	upto 115 dB
3D Noise	On/Off
Privacy Zone	On/Off
Motion detection	On/Off
Tampering Alarm	On/Off

Network	
Network Interface	Ethernet (RJ45) 10/100Mbps
Supported protocol	IPv4/v6, TCP/IP, UDP, RTP, STPS, HTTP, HTTPS, ICMP, FTP, SMTP, DHCP, PPPoE, Upnp, IGMP, SNMP, QoS
Internet Browser	Internet Explorer (6.0+), Chrome, Firefox, Safari
Password Levels	User / Administrator
User Account	20
Event Notification	HTTP, FTP, SMTP

General	
OnVif	Profile S, see more information on www.onvif.org
SD Card Slot	Optional SD card slot Micro SDXC 64GB supported (card is not included)
Audio	Two-way /G.711 /G.726
Audio input / output	4 pins terminal block
Digital In/out	1 /1 (terminal block)
Analog Video Output	1Vpp, 75Ω, PAL BNC connector class 2
Power Voltage	12VDC / 24VAC/ POE/POE+ (IEEE802.3af / IEEE802.at)
Power Consumption	Max. 19,1W
Power Connector	3 pins terminal block / RJ45
Fan & Heater	Yes, 16.1W Only 12VDC, 24VAC
Built-in IR illuminator	Up to 30 meters 24, 850nm LEDs
Environmental Casing	IP66
Languages	English, French, German, Italian
Operating Temperature/Humidity	-10°C ~ +50°C (POE) -40°C ~ +50°C (POE+) optional 10% ~ 90% RH
Dimensions	Ø151 x 130,52 mm
Weight (Net)	Approx. 800g
Warranty	4 years
Included accessories	Installation and Management software DVD
Part number	0070-04305IR

Optional accessories	
1ch video management software	0063-99999
AppView for smart phones and tablet	free download



We reserve the right to introduce product modifications without notice

Follow us on



© 2015 Ernitec. All rights reserved
www.ernitec.com

Ernitec
Tempovej 41
2750 Ballerup
Denmark