

EIP210 IP Fixed Dome

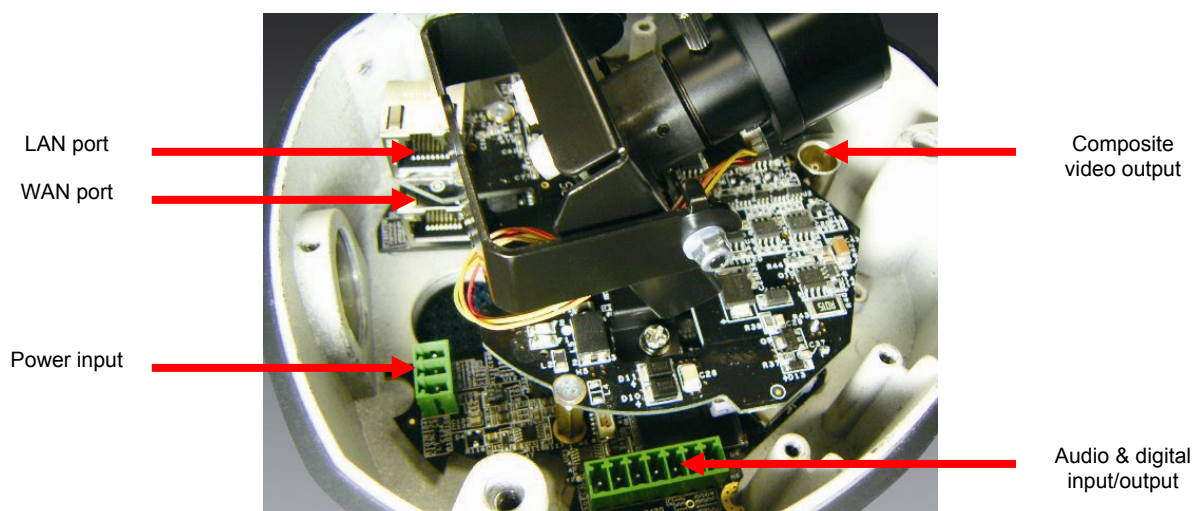
Description:

With the LAN and WAN ports built-in, this Mercury like, Ernitec 540 TVL IP Fixed Dome EIP210 delivers analogue-video-like transmission in MPEG-4 format in up to full D1 format at up to 25FPS. The EIP210 has a built-in web server to enable authorized users to do live-viewing and adjust the camera setting via remote web browsers.



Main features:

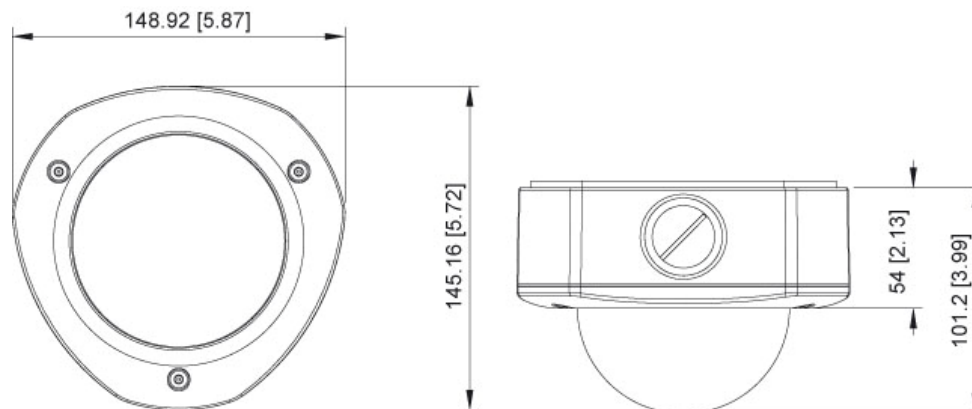
- 1/3" SONY Super HAD / EXviewHAD CCD with 440K/380K pixels
- Day/Night Operation, Auto Switching
- Min. 0.05 Lux at F=1.2 (30 IRE, SAGC ON)
- Backlight Compensation, Auto Iris Control, Auto White Balance supported
- Heavy-duty, weatherproof and vandal proof with IP66 protection.
- Surface, Flush and Wall mount supported
- CIF up to Full D1 resolution at 25 FPS (PAL)
- Dual MPEG-4 video stream output via LAN & WAN (PPPoE supported) ports concurrently
- Live video viewing from Ernitec EasyView™ IP Client.
- Power Over Ethernet (IEEE 802.3af) supported



Specifications for Ernitec EIP210D-P12P IP Fixed Dome

Image	CCD Effective Pixels (HxV) Horizontal Resolution	Interline Transfer SONY EXviewHAD CCD 752 x 582 (PAL) 540 TVL
Min. Scene Illumination	Color B/W R Sensitivity	Color mode automatically switched to B/W mode under 4 Lux 0.05 Lux at F1.2 (30IRE, SAGC ON) from 700nm to 1100nm
Focal Length		3.8 ~ 9.5 mm
Lens Mount		Board lens
Camera Angle Adjustment X (Panning)/Y (Tilting)		± 150° / 90° (The adjust angle of vision 0° ~ 77°)
Day/Night Switching		Internal auto switching
Motion Detection		Yes (3 windows)
Electronic Shutter		AES On: 1/50 ~ 1/100,000 sec. AES Off: 1/50 sec.
BLC		On / Off (switchable)
AGC		On / Off (switchable)
White Balance		AWB
Auto Iris Control		Video / DC (switchable)
S/N Ratio		Better than 50 dB (AGC off)
Video (Compression)	Compression Picture Resolution Bit Rate	MPEG-4 ASP compliant Full D1 720x576 in PAL; CIF 352x288 in PAL; QCIF 176x144 in PAL 28 K ~ 3M bps
Composite Video Output		CVBS, 1.0Vp-p with 75 Ω loading, BNC connector
Audio Input / Output: Compression / Audio Line Input		8kHz, Mono, PCM / Unbalanced, 1.4 Vp-p, 1Vrms, terminal block
Alarm Input / Output		1, TTL, terminal block
Casing		Weatherproof casing with IP66 standard / Vandal proof supports, durability up to 702 KgF/ Surface / Flush / Wall
LAN Port / WAN Port		Ethernet (10/100Base-T), RJ-45 connector
Protocol		TCP, UDP, IP, HTTP, DHCP, PPPoE, RTP, RTSP, FTP, SMTP
Web Browser		Microsoft Internet Explorer 6.0 or above
Software		Ernitec EasyView™ IP Client, EasyView™ NVR Server
Heater		Yes
Operating Temperature		-30 ~ 50 °C (-22~ 122 °F)
Power Requirement / Power Consumption		PoE (IEEE802.3af) with Class 3AC 24 V ±10% / 9 W
Dimensions (ØxH) / Weight		148.92 mm x 101.2 mm (5.87" x 3.99") / 1,145 g (2.5lb)

EasyView™ is a registered Trademark owned by Ernitec, all rights reserved. Datasheet is preliminary. Subject to change without notice.



Denmark Head Office

Ernitec A/S
Hørkær 24
2730 Herlev
Denmark
Phone: +45 44 50 33 00
Fax: +45 44 50 33 33
info@ernitec.dk
www.ernitec.com

French Branch Office

Ernitec France SARL
N° 29 Parc Club du
Millenaire
1025 Rue Henri Becquerel
34036 Montpellier cedex 1
France
Phone: +33 (0) 467151015
Fax: +33 (0) 467640181
info@ernitec.fr
www.ernitec.com

German Branch Office

Ernitec GmbH
Stormarring 28
22145 Stapelfeld
Germany
Phone: +49 (0)(40)6756250
Fax: +49 (0)(40)67562525
info@ernitec.de
www.ernitec.com

UK Branch Office

Ernitec UK
Columbia House
Columbia Drive
Worthing
West Sussex BN13 3HD
UK
Phone: +44 (0)1903263125
Fax: +44 (0)1903263126
info@ernitec.co.uk
www.ernitec.com

Middle East Office

Ernitec ME
Hamra - Makdesi Street
Younis Center - 5th floor
Office no. 503
P.O.Box: 113/5721
Beirut
Lebanon
Phone: +961 1 751 796
Fax: +961 1 751 795
info@ernitecme.com
www.ernitecme.com