

EIP510 Video Encoder



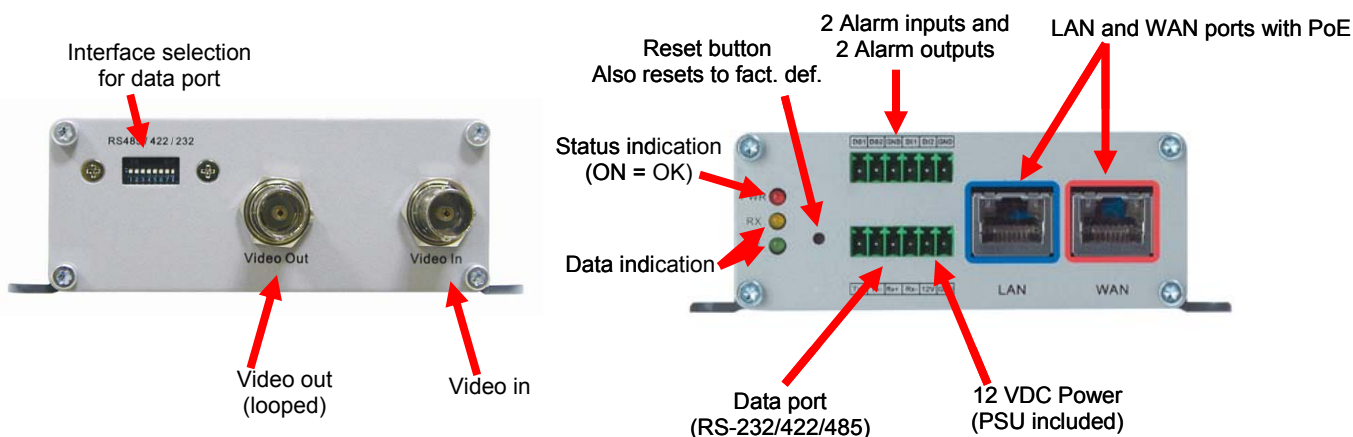
Description:

The Ernitec EIP510 IP Video Encoder is a MPEG4 based high resolution, full frame (D1, 25fps), Ethernet (LAN and WAN) ready digital video transmission device. It is ideal for utilising analogue cameras in an IP based system. The EIP 510 also provides RS-232 or RS-422 or RS-485 and digital I/O data transmission over Ethernet suitable for PTZ-control.



Main features:

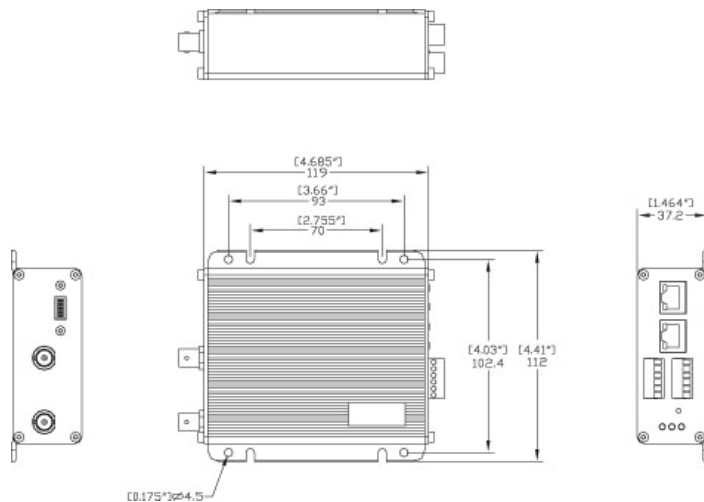
- CIF up to Full D1 resolution at 25 FPS (PAL)
- Dual MPEG-4 video stream output via LAN & WAN (PPPoE supported) ports concurrently
- Live video viewing from Ernitec EasyView™ IP Client
- Recording of data on Ernitec EasyView™ EIP601/EIP602 NVR Server
- Build-In motion detection
- Isolated digital input and output supported
- Ernitec ERNA protocol supported for PTZ cameras/speed domes by EasyView™



Specifications

Type	EIP510-C1
Compression	MPEG-4 ASP compliant compression
Picture Resolution	Full D1 (720 x 576 in PAL) CIF (352 x 288 in PAL) QCIF (176 x 144 in PAL)
Bit Rate	28 K ~ 3 M bps
Image Frame Rate	Up to 25 fps at full D1 resolution (PAL)
Multi-stream	Up to 4 configurable frame rate/bit rate streams for preview and recording
Composite Video Input / Output	CVBS, 1.0Vp-p with 75 Ω loading, BNC connector
Alarm Input / Output	2, TTL, terminal block
Remote Control Serial Port	RS-485: half duplex, terminal block RS-422: full duplex, terminal block RS-232: full duplex, terminal block
LED	System status
LAN Port / WAN Port	Ethernet (10/100Base-T), RJ-45 connector
Protocol	TCP, UDP, IP, HTTP, DHCP, PPPoE, RTP, RTSP, FTP, SMTP
Web Browser	Microsoft Internet Explorer 6.0 or above
Software	Ernitec EasyView™
PTZ Protocol*	Ernitec ERNA Protocol
Security	Password protection: configured by the administrator
Operating Temperature	5 ~ 50 °C (40 ~ 122 °F),
Power Requirement / Power Consumption	DC 12 V ±10% / 7.5 W
Dimensions (WxHxD) / Weight	112 mm x 37.2 mm x 119 mm (4.41" x 1.46" x 4.68") / 350 g (0.66 lb)
* This PTZ protocol is supported in Ernitec EasyView™	

EasyView™ is a registered Trademark owned by Ernitec, all rights reserved. Datasheet is preliminary. Subject to change without notice.



Denmark Head Office

Ernitec A/S
Hørkær 24
2730 Herlev
Denmark
Phone: +45 44 50 33 00
Fax: +45 44 50 33 33
info@ernitec.dk
www.ernitec.com

French Branch Office

Ernitec France SARL
N° 29 Parc Club du
Millenaire
1025 Rue Henri Becquerel
34036 Montpellier cedex 1
France
Phone: +33 (0) 467151015
Fax: +33 (0) 467640181
info@ernitec.fr
www.ernitec.com

German Branch Office

Ernitec GmbH
Stormarnring 28
22145 Stapelfeld
Germany
Phone: +49 (0) (40) 6756250
Fax: +49 (0) (40) 67562525
info@ernitec.de
www.ernitec.com

UK Branch Office

Ernitec UK
Columbia House
Columbia Drive
Worthing
West Sussex BN13 3HD
UK
Phone: +44 (0) 1903263125
Fax: +44 (0) 1903263126
info@ernitec.co.uk
www.ernitec.com

Middle East Office

Ernitec ME
Hamra - Makdesi Street
Younis Center - 5th floor
Office no. 503
P.O.Box: 113/5721
Beirut
Lebanon
Phone: +961 1 751 796
Fax: +961 1 751 795
info@ernitecme.com
www.ernitecme.com