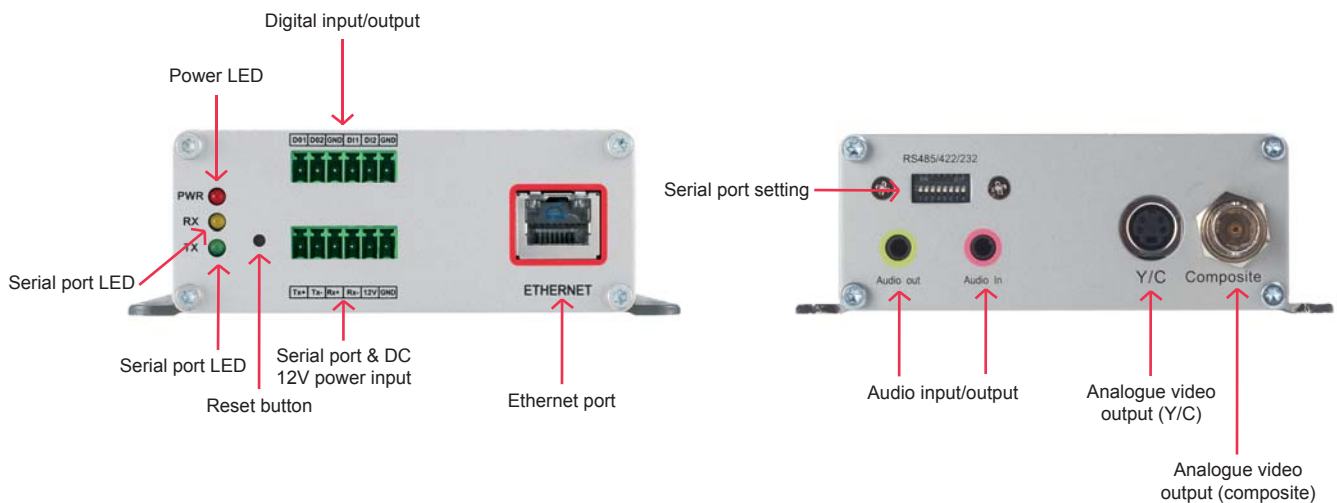


EIP610 Video Decoder

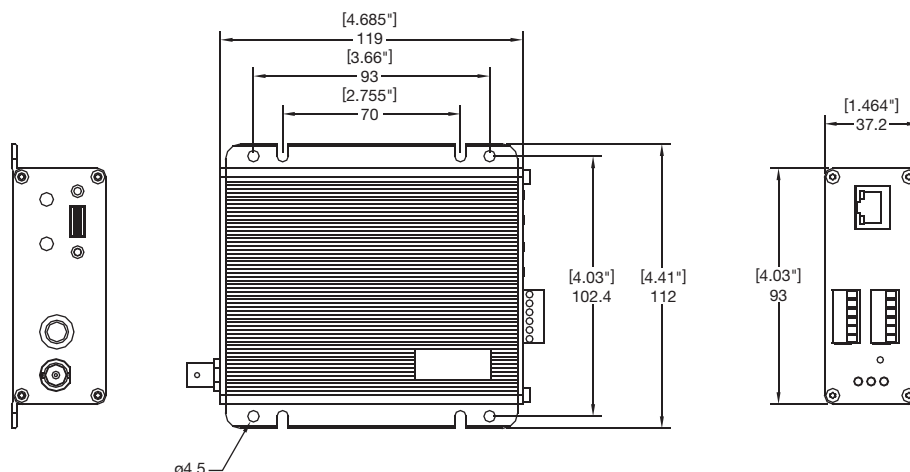


The Ernitec EIP610 Video Decoder is a MPEG4 based high resolution, full frame (D1, 25fps), Ethernet ready and digital to analogue video device. It is ideal for utilising digitized cameras in an analogue based system.

- Up to full D1 MPEG-4 video decoding at 30/25 FPS
- Digital time code retrieved
- Two way audio supported
- Hardware motion detection, Digital Input / Output



Dimension diagrams



EIP610 Video Decoder

Specifications

Video	
Decompression	MPEG-4 ASP, SP decompression
Picture Resolution	Full D1 (720x480 in NTSC, 720x576 in PAL)
Bit Rate	28 K ~ 3 M bps
Image Frame Rate	30 fps at full D1 resolution (NTSC); 25 fps at full D1 resolution (PAL)
Video Output	CVBS, 1.0Vp-p with 75 Ω loading, BNC connector; Y/C, 1.0Vp-p with 75 Ω loading/0.286Vp-p with 75 Ω loading, S connector
Audio Input	
Compression	8kHz, Mono, PCM
Audio Line Input	Unbalanced, 1.4 Vp-p, 1Vrms, 3.5 mm Phone Jack
Audio Output	
Compression	8kHz, Mono, PCM
Audio Line Output	Unbalanced, 1.4 Vp-p, 1Vrms, 3.5 mm Phone Jack
Alarm	
Input	2, TTL, terminal block
Output	2, TTL, terminal block
Remote Control	
Serial Port	RS-485: half duplex, terminal block RS-422: full duplex, terminal block RS-232: full duplex, terminal block
External I/O	
Reset Button	Factory default
LED	System status
Network	
Ethernet Port	Ethernet (10/100Base-T), RJ-45 connector
Protocol	TCP, UDP, IP, HTTP, DHCP, PPPoE, RTP, RTSP, DNS, DDNS, ICMP, ARP
Software	
Web Browser	Microsoft Internet Explorer 6.0 or above
SDK	URL command
Security	Password protection: configured by the administrator
Operating	
Temperature	0 °C ~ 50 °C (32 °F ~ 122 °F)
Power	
Power Requirement	DC 12 V \pm 10%
Power Consumption	3.8 W
Physical	
Dimensions	112 mm x 37.2 mm x 119 mm (4.41" x 1.46" x 4.68")
Weight	350 g (0.66 lb)
Order information	0074 - 00201

YOUR VIDEO SURVEILLANCE SUPPLIER

Ernitec A/S
Phone: +45 44 50 33 00
Fax: +45 44 50 33 33
info@ernitec.dk

Ernitec UK
Phone: +44 (0) 1903 263 125
Fax: +44 (0) 1903 263 126
info@ernitec.co.uk

Ernitec SARL
Phone: +33 (0)4 67 15 10 15
Fax: +33 (0)4 67 64 01 81
info@ernitec.fr

Ernitec GmbH
Phone: +49(0)(40) 6756250
Fax: +49(0)(40) 67562525
info@ernitec.de



www.ernitec.com