

## H.264 Megapixel IP Box Camera

Megapixel Compression: H.264, MJPEG, Up to 1600 x 1200  
 Video Compression: H.264, MPEG-4, MJPEG (Dual Stream@D1)  
 2-way Audio  
 Burnt-in Text, Video Motion Detection Support  
 USB 2.0 Support (External Storage, Wireless LAN)  
 microSD Memory Slot Support  
 Providing only SDK, not Complete Application Software



\* Lens is option

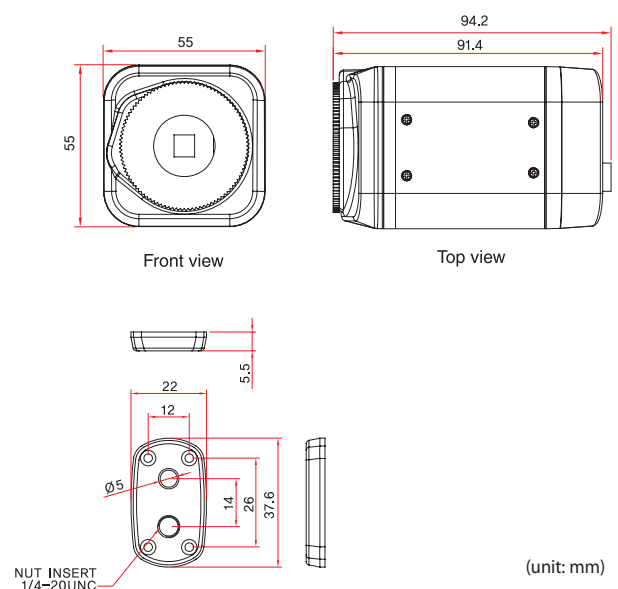
### Specifications

Camera Module	
Image Sensor	Aptina (Micron) 1/3.2" (4:3) CMOS 2M
Effective Pixels	1600 x 1200 (UXGA, 2M)
Scanning System	Progressive Scan
Dynamic Range	71dB
SNR	Max 42.3dB
Minimum Illumination	0.5 Lux(50IRE), 0.1 Lux(DSS x5 ON)
Lens (Optional)	3~8 mm, F1.0 Manual Iris Lens, CS Mount
Day & Night	Digital Slow Shutter (DSS)
Video	
Megapixel Compression	H.264, MJPEG
Compression Format	H.264, MPEG-4, MJPEG
Number of Streams	Dual Stream, Configurable
Resolution	UXGA, SXGA, HD720, XGA, D1, 4CIF, VGA, CIF, QVGA, QCIF (See Manuals for Detail Information)
Compression FPS	TBD
Motion Detection	Support (DSP)
Burnt-in Text	Support (DSP)
Output	Not Available
Audio	
Input	1 channel
Output	1 channel
Compression Format	G.711
Function	
Digital Input	1 channel (Dry and Wet Contact Selectable)
Digital Output	1 channel (Dry Contact)
RS-485/422	Support (RS-485 only)
RS-232C	Not Available
Network	10 / 100 Base-T
Protocol	TCP/IP, UDP/IP, HTTP, RTSP, RTP, RTCP, RTP/UDP, RTP/TCP, SNMP, mDNS, UPnP, SMTP, SOCK, IGMP, DHCP, DDNS, SSL v2/v3, IEEE 802.1X, SSH
USB 2.0	Support (Mini-B plug)
SD Memory Card Slot	Support (microSD type)
Electrical	
Power Source	12V DC (Screw Terminal)
Power over Ethernet	Support (IEEE 802.3af)
Power Consumption (Approx)	340 mA @ +12V
Environmental	
Operating Temperature	0 ~ 50 (32 ~ 122 )
Operating Humidity	Up to 85% RH (Non-condensing)
Mechanical	
Material	Aluminum Die Casting-2
Color	White Pearl
Dimension	55(W) x 55(H) x 94.2(D) mm
Weight (Approx)	-

Video Analytics  
included

Video Content Analysis (Included as Standard)	
High Performance	Advanced Tracking Algorithm, Low False Alarm Rate
Easy to Use	Intuitive Web Browser Interface
Detection Zones	Multi-segment Polygons and Lines
On-screen Display	Real-time Display of Tracking Data and Events
Video Content Analysis (Option)	
Detection Behavior	Direction, Stopping, Loitering, Entering, Exiting, Appear, and Disappear Filters
3D Behavior	Perspective Corrected Size and Speed Filters
Statistics	Counting Functions and Other Statistics
Meta Data	Binary XML Format
Image Stabilization (Option)	
Electronic Stabilization	Removes Camera Sway

### Dimension



(unit: mm)

\* Product picture and dimension could be changed