

EVA 1201 Dome 2MP

- H.264, Up to 1600 x 1200
- Dual Stream
- microSD Memory Support
- IP66 Support
- Embedded Intelligent Video Analytics
- Burnt-in Text, Video Motion Detection Support
- 2-way Audio
- Comprehensive SDK Support

Specifications

Camera Module	
Image Sensor	Aptina (Micron) 1/3.2" (4:3) CMOS 2M
Effective Pixels	1600 x 1200 (UXGA, 2M)
Scanning System	Progressive Scan
Dynamic Range	71dB
SNR	Max 42.3dB
Minimum Illumination	0.5 Lux(50IRE), 0.1 Lux(DSS x5 ON)
Lens	3~8mm, F1.2 Vari-Focal
Day & Night	S/W
Video	
Megapixel Compression	H.264, MJPEG
Number of Streams	Dual Stream, Configurable
Resolution	UXGA, SXGA, HD720, XGA, D1, 4CIF, VGA, CIF, QVGA, QCIF (See Manuals for Detail Information)
Compression FPS <small>(In case of VCA or Burnt In Annotation on, fps could be decreased)</small>	H.264 5 fps@UXGA (1600 x 1200) 8 fps@SXGA (1280 x 1024) 12 fps@HD720 (1280 x 720) 15 fps@XGA (1024 x 768), D1 (720 x 480) MPEG-4 15 fps@D1 (720 x 480) MJPEG 15 fps@UXGA (1600 x 1200)
Motion Detection	Support (DSP)
Burnt-in Text	Support (DSP)
Output	Not Available
Audio	
Input	1 channel
Output	1 channel
Compression Format	G.711
Function	
Digital Input	1 channel
Digital Output	1 channel
RS-485	Support
RS-232C	Not Available
Network	10 / 100 Base-T
Protocol	TCP/IP, UDP/IP, HTTP, RTSP, RTCP, RTP/UDP, RTP/TCP, SNTP, mDNS, UPnP, SMTP, SOCK, IGMP, DHCP, DDNS, SSL v2/v3, IEEE 802.1X, SSH
USB 2.0	Not Available
SD Memory Card	Support, microSD type
Electrical	
Power Source	12V DC
Power over Ethernet	Support, IEEE 802.3af
Power Consumption (Approx)	300 mA @ +12V
Environmental	
Operating Temperature	0 °C ~ 50 °C (32 °F ~ 122 °F)
Operating Humidity	Up to 85% RH, Non-condensing
Mechanical	
Material	Aluminum Die Casting / Polycarbonate
Color	Ivory
Dimension	Housing: 150(ø) x 113(H) mm, Dome: 100(ø) mm
Weight (Approx)	1,080 g



Intelligent Video Analytics included

Primary Intelligent Video Analytics (Included as Standard)

High Performance	Advanced Tracking Algorithm, Low False Alarm Rate
Easy to Use	Intuitive Web Browser Interface
Detection Zones	Multi-segment Polygons and Lines
On-screen Display	Real-time Display of Tracking Data and Events
Camera Shake Cancellation	Improve the VCA performance with cameras that are prone to shake
Tempter Detection	Detect camera tampering

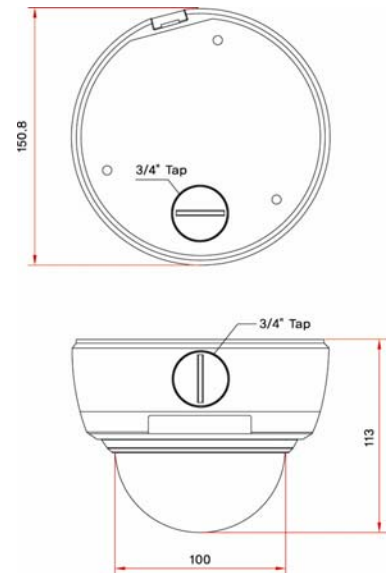
Advanced Intelligent Video Analytics (Option)

Detection Behavior	Direction, Stopping, Loitering, Entering, Exiting, Appear, and Disappear Filters, Abandoned/Removed Object Detection, Tailgating Detection
3D Behavior	Perspective Corrected Size and Speed Filters
Statistics	Counting Functions and Other Statistics
Meta Data	Binary XML Format

Image Stabilization (Option)

Electronic Stabilization	Removes Camera Sway
---------------------------------	---------------------

Dimension



(unit: mm)

* Product picture and dimension could be changed