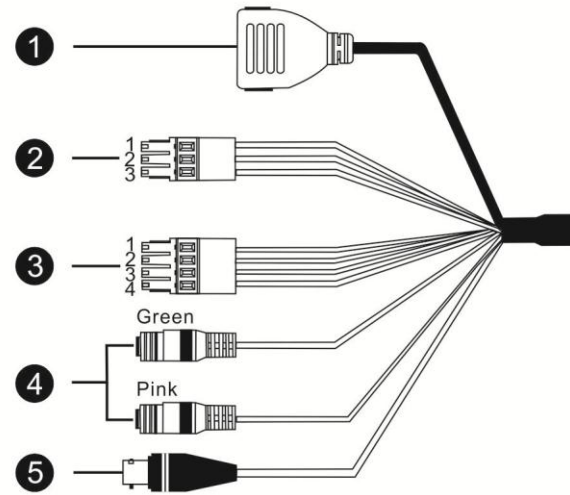


Ernitec Hawk SX camera Quick Guide

The quick guide is for quick installing and connecting the Ernitec Hawk SX Bullet Camera. For details, please refer to the camera's User Manual.

Cable Definition



No	Cable	Pin	Definition	Remarks	
1	Network (with PoE)	-	RJ-45 connector with LED		
2	Power (3-pin Terminal Block)	1	AC 24V-1	DC (-)	Power connection
		2	GND	Reserved	
		3	AC 24V-2	DC (+)	
3	Alarm (4-pin Terminal Block)	1	ALM_DI-		Alarm connection
		2	ALM_DI+		
		3	ALM_DO-		
		4	ALM_DO+		
4	Audio I/O	Pink	Line In/ Mic In	Two-way audio transmission	
		Green	Line Out		
5	BNC	-	Analog Video Output		

IP Camera Installation

Please follow the instructions below to complete IP Camera installation.

Power up the Camera

To power up the IP Camera, please plug the camera's DC 12V/ AC 24V cable into the power outlet. Alternatively, connect the Ethernet cable to the camera's PoE port and plug the other end of the cable into a PoE switch.



NOTE: If using PoE, make sure Power Sourcing Equipment (PSE) is in use in the network.

Ethernet Cable Connection

Connect one end of the CAT5 Ethernet cable to the RJ-45 connector of the IP Camera, and the other end of the cable to the network switch or PC.

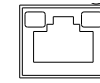


NOTE: In some cases, you may need to use an Ethernet crossover cable when connecting the IP Camera directly to the PC.



NOTE: Check the status of the link indicator and activity indicator LEDs; if the LEDs are unlit, please check

LAN connection.



Green Link Light indicates good network connection.

Orange Activity Light flashes for network activity indication.

Before Login to the IP Camera

A client program will be automatically installed on your PC when connecting to the IP Camera. Before logging in to the IP Camera, please ensure downloading the ActiveX control is allowed by either changing the ActiveX controls and plug-ins or setting Internet's security level to default. For further details, please refer to the IP Camera's user manual.

ActiveX Controls and Plug-ins Settings	Internet Security Level
<p>Step 1: Start the Internet Explorer (IE).</p> <p>Step 2: Select <Tools> from the main menu of the browser. Then Click <Internet Options>.</p> <p>Step 3: Click the <Security> tab and select "Internet", and click <Custom level> to change ActiveX settings.</p> <p>Step 4: Set "ActiveX controls and plug-ins" items to <Prompt> or <Enable>.</p>	<p>Step 1: Start the IE.</p> <p>Step 2: Select <Tools> from the main menu of the browser. Then Click <Internet Options>.</p> <p>Step 3: Click the <Security> tab and select "Internet."</p> <p>Step 4: Down the page, press "Default Level" and click "OK" to confirm the setting. Close the browser window, and open a new one later for accessing the IP Camera</p>

IP Camera Login

The IP Camera's default IP address is: **192.168.0.250**. Therefore, to access the IP Camera for the first time, set the PC's IP address as: 192.168.0.XXX; for example:

IP Address: 192.168.0.100

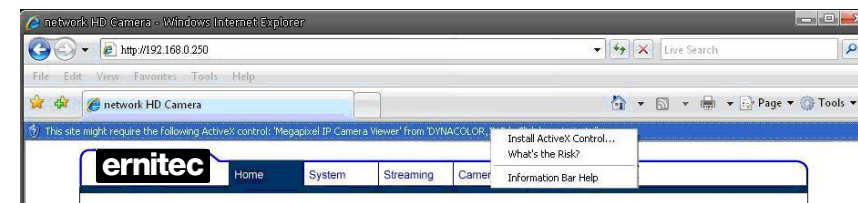
Subnet Mask: 255.255.255.0

Login ID & Password

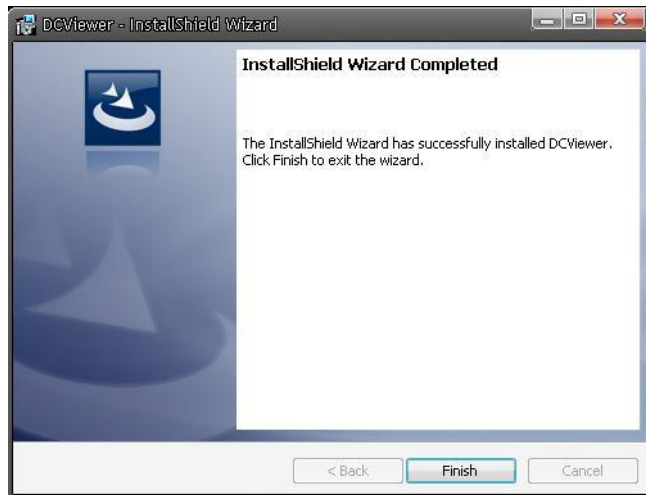
- Key in the IP Camera's IP address in the URL bar of the Web browser window and press "Enter."
- Enter the default user name (**Admin**) and password (**1234**) in the prompt request dialogue. Note that user name is case sensitive.

Install the ActiveX Control

- After connecting to the IP Camera, the request for installing the ActiveX control will appear just below the URL bar.
- Right Click on the information bar, and press "Install ActiveX Control..." to permit ActiveX control installation.



- In the pop-up security warning window, click "Install" to start downloading DC Viewer software on the PC.
- Press "Finish" after DC Viewer installation is complete.



Browser-based Viewer

The main page of the IP Camera user interface is shown as the figure below. Please note that function buttons will vary depending on the camera model.



Ernitec Hawk SX Camera Quick Guide

