

## Ernitec HAWK SX 402M

Full HD outdoor IR bullet Camera



- > Real-time 1080p Resolution
- > 3-9mm Motorized Lens
- > Mechanical IR-cut
- > Built-in IR illuminator
- > Edge storage
- > H.264 Main and High profil
- > Build-in Heater
- > Power over Ethernet
- > 4 year Warranty

Ernitec Hawk SX 402M camera have a manual focal 3-9mm motorized IR Lens, that provide perfect focus video streams in HD resolution along with H.264 and MJPEG compression in real time.

The advanced CMOS progressive scan sensor technology provides outstanding images in both normal and difficult lighting conditions by automatically adjusting white balance to ensure accurate color reproduction.

Recording and transmitting crystal clear images in Full HD format in complete darkness, up to 15 meters from the lens is made possible through the use of advance LED technology and highly efficient H.264 compression, which can result in bandwidth and storage savings of as much as 80 percent compared to M-JPEG and 50 percent compared to MPEG-4 (Part 2) compressions.

The Ernitec Hawk SX 402M can encode dual H.264 and M-JPEG streams simultaneously in real time to address different live or recording applications.

Power over Ethernet simplifies the installation of the Ernitec Hawk SX 402M cameras, while setup and programming are quickly accomplished using a browser interface. Remote health checks and software upgrades also ensure easy maintenance, as well as the highest reliability and system integrity.

With build-in heater the Ernitec Hawk SX 402M is build for cold weather applications and will still work in temperatures from -40°C to +50°C

The OnVif compliant APIs provide the necessary flexibility to ensure compatibility with most OnVif supported VMS platforms

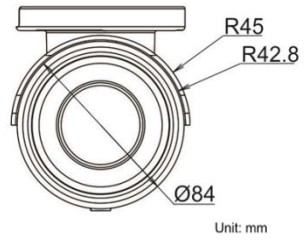
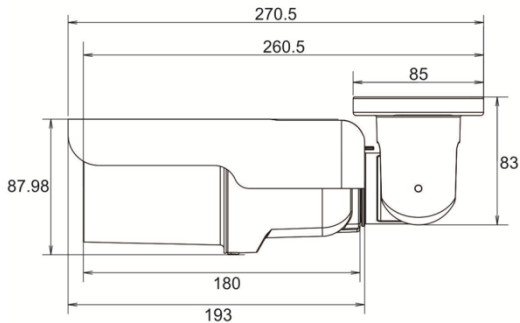
# Technical Specification – Ernitec Hawk 402M

Camera	
Camera type	Outdoor Bullet day / night (ICR Type)
Effective Pixels	1920 (H) x 1080 (V)
Image Sensor	1/2.8" Progressive CMOS
Electronic Shutter Speed	1~1/10.000 sec.
Min. Illumination	0.2 Lux (Color), 0.0001 Lux (B/W), F1.2, 30IRE
Day/night switching	Mechanical IR-cut
Lens	
Lens type	Motorized IR
Focal Length	3 ~ 9 mm
F. number	F1.2 (wide), F2.6 (tele)
Iris	Auto DC-iris
FOV	103,5° (Wide) ; 34.3° (Tele)
Video	
Video Compression	H.264/MJPEG
Video stream	Dual / 1080p@25fps H.264 + D1@25fps H.264/MJPEG
Resolution	Full HD1080p/ SXGA/ HD720p XGA/SVGA/ D1/ VGA/ CIF
Brightness	Manual
Exposure	Auto / Manual
Sharpness	Manual
Contrast	Manual
White Balance	Manual / AWB/ ATW
Saturation	Manual
Hue	Manual
Digital Zoom	Yes
WDR	On/Off
3D Noise	On/Off
Privacy Zone	On/Off
Motion detection	On/Off
Tampering Alarm	On/Off

Network	
Network Interface	Ethernet (RJ45) 10/100Mbps
Supported protocol	IPv4/v6, TCP/IP, UDP, RTP, STPS, HTTP, HTTPS, ICMP, FTP, SMTP, DHCP, PPPoE, Upnp, IGMP, SNMP, QoS
Internet Browser	Internet Explorer (6.0+), Chrome, Firefox, Safari
Password Levels	User / Administrator
User Account	20
Event Notification	HTTP, FTP, SMTP

General	
Onvif	yes, se more information on <a href="http://www.onvif.org">www.onvif.org</a>
Edge Storage	SD/ SDHC card slot (card is not included)
Audio	Two-way /G.711 /G.726
Audio input / output	Female Stereo phone jack, Ø 3.5mm
Digital In/out	1 /1 (4 pin wires)
Analog Video Output	1Vpp, 75Ω, PAL BNC connector class 2
Power Voltage	12VDC / 24VAC/ POE (IEEE802.3af)
Power Consumption	Without heater 8.9W With fan/heater 25.0W
Power Connector	3 pins terminal block / RJ45
Fan & Heater	Yes, 16.1W Only 12VDC, 24VAC
Built-in IR illuminator	Up to 15 meters 24, 850nm LEDs
Languages	English, French, German, Italian
Operating Temperature/Humidity	-40°C ~ +50°C / 10% ~ 90% RH
Dimensions	Ø87.98 x 270.5mm
Weight (Net)	Approx. 900g
Warranty	4 years
Included accessories	Installation and Management software DVD
Part number	0070-04402M

Optional accessories	
1ch video management software	0063-99999
AppView for smart phones and tablet	free download



DISTRIBUTED BY

