

## Ernitec HAWK SX 405

Full HD outdoor IR bullet Camera



Ernitec Hawk SX 405 camera have a manual focal 3.6-9mm IR Lens, that provide perfect focus video streams in 5 megapixel resolution along with H.264 and MJPEG compression in real time.

The advanced CMOS progressive scan sensor technology provides outstanding images in both normal and difficult lighting conditions by automatically adjusting white balance to ensure accurate color reproduction.

Recording and transmitting crystal clear images in 5 megapixel format in complete darkness, up to 25 meters from the lens is made possible through the use of advance LED technology and highly efficient H.264 compression, which can result in bandwidth and storage savings of as much as 80 percent compared to M-JPEG and 50 percent compared to MPEG-4 (Part 2) compressions.

The Ernitec Hawk SX 405 can encode dual H.264 and M-JPEG streams simultaneously in real time to address different live or recording applications.

Power over Ethernet simplifies the installation of the Ernitec Hawk SX 405 cameras, while setup and programming are quickly accomplished using a browser interface. Remote health checks and software upgrades also ensure easy maintenance, as well as the highest reliability and system integrity.

With build-in heater the Ernitec Hawk SX 405 is build for cold weather applications and will still work in temperatures from -40°C to +50°C

The OnVif compliant APIs provide the necessary flexibility to ensure compatibility with most OnVif supported VMS platforms

- > 2592 x 1944 (5MP) Resolution
- > 3.6-9mm Lens
- > mechanical IR-cut
- > Built-in IR illuminator
- > Edge storage
- > H.264 Main and High profil
- > Build-in Heater
- > Power over Ethernet (IEEE 802.3af)
- > 4 year Warranty

## Technical Specification – Ernitec HAWK SX405

### Camera

Camera type	Outdoor Bullet day / night (ICR Type)
Effective Pixels	2592 (H) x 1944 (V)
Image Sensor	1 / 2.5" Progressiv CMOS
Electronic Shutter Speed	1~1/10.000 sec.
Min. Illumination	0.2 Lux (Color), 0.0009 Lux (B/W), F1.2, 30IRE
Day/night switching	Mecanichal IR-cut

### Lens

Lens type	Manual focal IR
Lens format	M14
Focal Length	3.6 ~ 9 mm
F. number	F1.2 (wide), F2.6 (tele)
Iris	Auto iris

### Video

Video Compression	H.264/MJPEG
Video stream	2592 x 1944@10fps Dual / 1080p@25fps H.264 + D1@25fps H.264/MJPEG
Resolution	Full HD1080p/ SXGA/ HD720p XGA/SVGA/ D1/ VGA/ CIF
Brightness	Manual
Exposure	Auto / User Configurable
Sharpness	User Configurable
Contrast	User Configurable
White Balance	Manual / AWB / ATW
Saturation	User Configurable
Hue	User Configurable
Digital Zoom	Yes
WDR	On/Off
3D Noise	On/Off
Privacy Zone	2 / Off
Motion detection	Multizone (User Configurable)
Tampering Alarm	On/Off

### Network

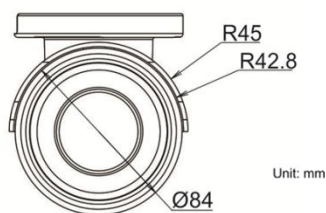
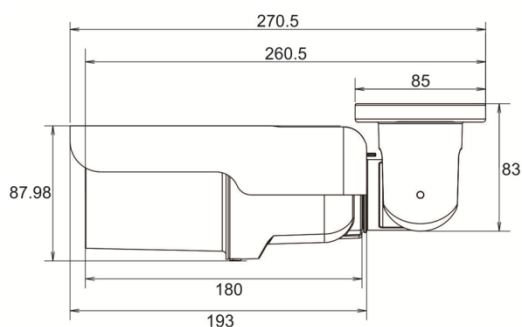
Network Interface	Ethernet (RJ45) 10 / 100Mbps
Supported protocol	IPv4/v6, TCP/IP, UDP, RTP, STPS, HTTP, HTTPS, ICMP, FTP, SMTP, DHCP, PPPoE, Upnp, IGMP, SNMP, QoS
Internet Browser	Internet Explorer (6.0+), Chrome, Firefox, Safari
Password Levels	User / Administrator
User Account	20
Event Notification	HTTP, FTP, SMTP

### General

Onvif	Yes, www.onvif.org
Edge Storage	SD / SDHC card slot (card is not included)
Audio	Two-way / G.711 / G.726
Audio input / output	Female Stereo phone jack, $\emptyset$ 3.5mm
Digital In/out	1 / 1 (4 pin wires)
Analog Video Output	1Vpp, 75 $\Omega$ , PAL BNC connector class 2
Power Voltage	12VDC / 24VAC / POE (IEEE802.af)
Power Consumption	Max. 9.1W / with heater 25.2W
Power Connector	3 pins terminal block / RJ45
Fan & Heater	Yes, 16.1W (12VDC/ 24VAC only)
Built-in IR illuminator	Up to 15 meters 24, 850nm LEDs
Environmental Casing	Weatherproof IP66
Languages	English, French, German, Italian
Operating Temperature/Humidity	-40°C ~ +50°C / 10% ~ 90% RH
Dimensions	$\emptyset$ 84 x 193mm
Weight (Net)	Approx. 950g
Warranty	4 years
Included accessories	Installation and Management software DVD
Part number	0070-04405

### Optional accessories

1ch video management software	0063-99999
AppView for smart phones and tablet	free download



DISTRIBUTED BY

