

Optional Mounting Accessories – Ernitec Mercury SX series

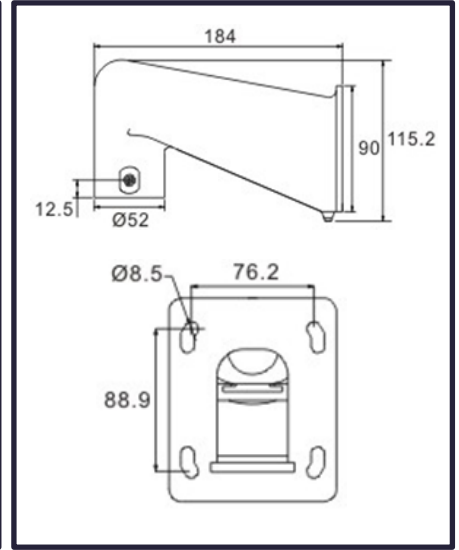
Mini Gooseneck Mount

Dimensions: 184×104×115.2 mm

Weight: 0.6 kg

Supplied with rubber washer and 4x M8x12 screw .

Part number 0070-10007



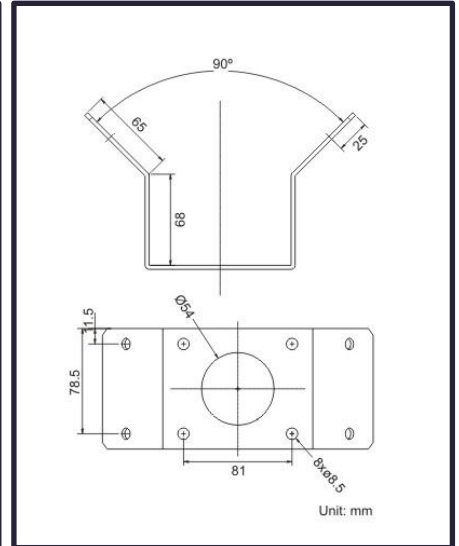
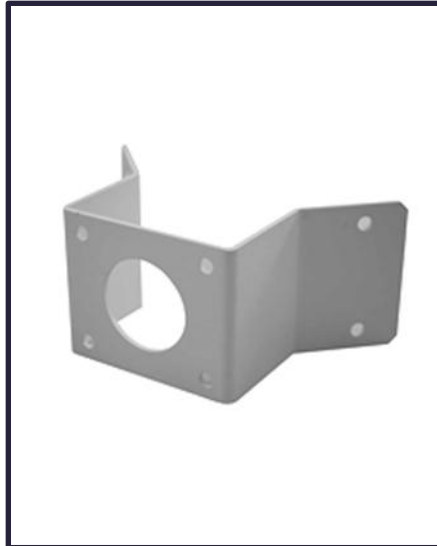
Corner Plate Mini

For mounting with Mini Gooseneck

Dimensions: 270×166×95 mm

Supplied with washer-8 x4, spring washer-8 x4, M8x16 screw x4 and M8 nut x4.

Part number 0070-10004



In-Ceiling (T-Bar) Mount

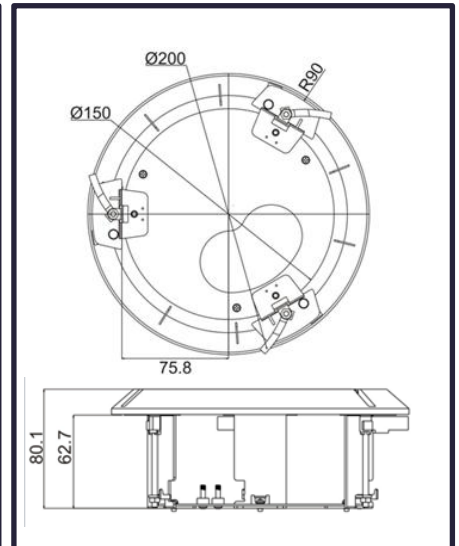
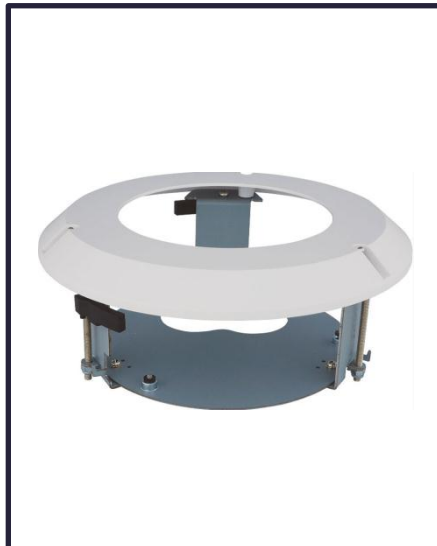
For In-Ceiling Installation.

Height: 80.1 mm

Diameter: Ø150 / Ø200 mm

Weight: 0.8 kg

Part number 0070-10009



Optional Mounting Accessories – Ernitec Mercury SX series

Pole Thin Direct Mounting

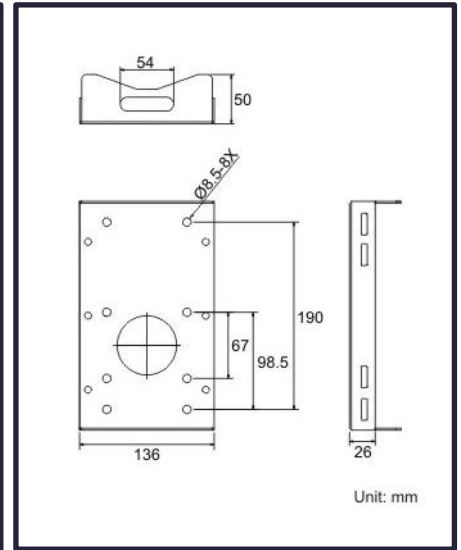
Dimensions: 232×136×60 mm

Diameter: 112~130 mm

Weight: 0.7 kg

Supplied with stainless steel straps x4, M8x16 screw x4, washer x4 and spring washer-8 x4.

Thin: Part number 0070-10002



Pole Wide Direct Mounting

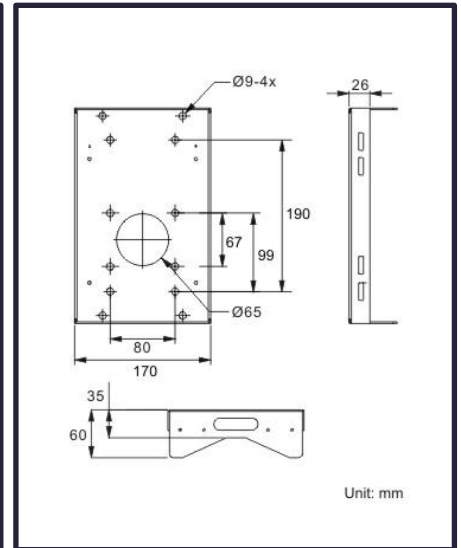
Dimensions: 270×170×60 mm

Diameter: 112~140 mm

Weight: 1 kg

Supplied with M8x16 screw x4, washer x4, stainless steel straps x4 and spring washer-8 x4.

Part number 0070-10003



Outdoor housing

Mount together with mini gooseneck

Diameter: Ø160 mm

Weight: 0.5 kg

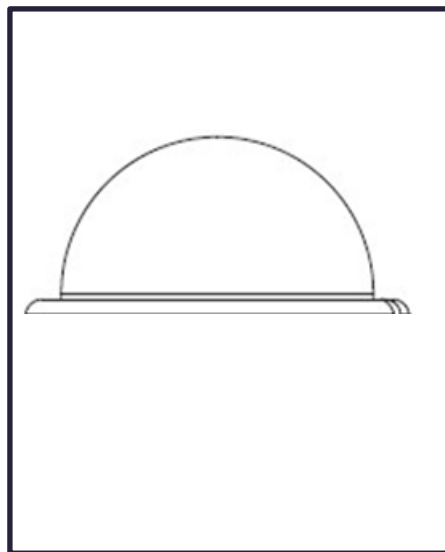
Part number 0070-10008



Optional Mounting Accessories – Ernitec Mercury SX series

Clear dome cover

Thin: Part number 0070-10006



Smoke dome cover

Part number 0070-10005

