

Ernitec Mercury SX 305

5 megapixel vandal dome IP Camera



Mercury SX 305s intuitive design and the click-out electronics module is design with the installer in mind, while setup and programming are quickly accomplished using a browser interface. Remote health checks and software upgrades also ensure easy maintenance, as well as the highest reliability and system integrity.

The Mercury SX 305 can be installed virtually anywhere using POE, AC or DC power, the advanced CMOS progressive scan sensor technology provides outstanding images in both normal and difficult lighting conditions by automatically adjusting white balance to ensure accurate color reproduction. Mercury SX 305 is transmitting crystal clear images in real time Full HD format is made possible through the use of highly efficient H.264 compression, which can result in bandwidth and storage savings of as much as 80 percent compared to M-JPEG and 50 percent compared to MPEG-4 (Part 2) compressions.

The Mercury SX 305 can encode dual H.264 and M-JPEG streams simultaneously in real time to address different live or recording applications.

The OnVif compliant APIs provide the necessary flexibility to ensure compatibility with most OnVif supported VMS platforms

- > Resolution up to 2592x1944
- > 3.6-9mm Lens
- > mechanical IR-cut
- > Edge storage
- > H.264 Main and High profil
- > Power over Ethernet (IEEE 802.3af)
- > 4 year Warranty

Technical Specification – Ernitec Mercury SX305

Camera	
Camera type	Vandal Dome day / night (ICR Type)
Effective Pixels	2592 (H) x 1944 (V)
Image Sensor	1/2.5" Progressiv CMOS
Electronic Shutter Speed	1~1/10.000 sec.
Min. Illumination	0.2 Lux (Color), 0.02 Lux (B/W), F1.2, 30IRE
Day/night switching	mecanichal IR-cut

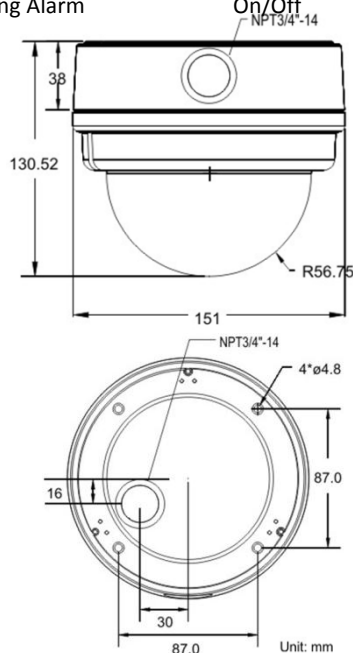
Lens	
Lens type	Manual focal IR
Focal Length	3.6 ~ 9 mm
F. number	F1.2 (wide), F2.6 (tele)
Iris	Auto iris

Video	
Video Compression	H.264/MJPEG
Video stream	2592 x 1944@10fps Dual / 1080p@25fps H.264 + D1@25fps H.264/MJPEG
Resolution	2592x1944, 2048x1536, Full HD1080p/ SXGA/ HD720p XGA/SVGA/ D1/ VGA/ CIF
Brightness	Manual
Exposure	Auto / Manual
Sharpness	Manual
Contrast	Manual
White Balance	Manual / AWB/ ATW
Saturation	Manual
Hue	Manual
Digial Zoom	Yes
WDR	On/Off
3D Noise	On/Off
Privacy Zone	On/Off
Motion detection	On/Off
Tampering Alarm	On/Off

Network	
Network Interface	Ethernet (RJ45) 10/100Mbps
Supported protocol	IPv4/v6, TCP/IP, UDP, RTP, STPS, HTTP, HTTPS, ICMP, FTP, SMTP, DHCP, PPPoE, Upnp, IGMP, SNMP, QoS
Internet Browser	Internet Explorer (6.0+), Chrome, Firefox, Safari
Password Levels	User / Administrator
User Account	20
Event Notification	HTTP, FTP, SMTP

General	
Onvif	yes, www.onvif.org
Edge Storage	SD/ SDHC card slot (card is not included)
Audio	Two-way /G.711 /G.726
Audio input / output	4 pins terminal block
Digital In/out	1 /1 (4 pins terminal block)
Analog Video Output	1Vpp, 75Ω, PAL BNC connector class 2
Power Voltage	12VDC / 24VAC/ POE (IEEE802.af)
Power Consumption	Max. 5.5W / with heater 21.8W
Power Connector	3 pins terminal block / RJ45
Fan & Heater	Yes, 16.1W (12VDC/ 24VAC only)
Environmental Casing	Weatherproof IP66/ Vandalproof up to 661.2KgF
Languages	English, French, German, Italian
Operating Temperature/Humidity	-40°C ~ +50°C / 10% ~ 90% RH
Dimensions	ø170 x 210mm
Weight (Net)	Approx. 900g
Warranty	4 years
Included accessories	Installation and Managment software DVD
Part number	0070-04305

Optional accessories	
1ch video management software	0063-99999
AppView for smart phones and tablet	free download



DISTRIBUTED BY

