

# Orion Speed Dome Series

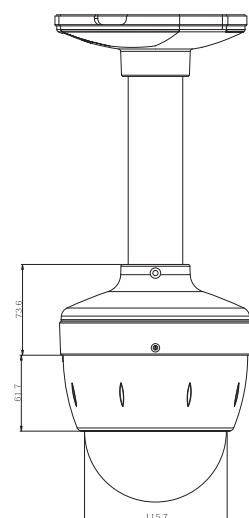
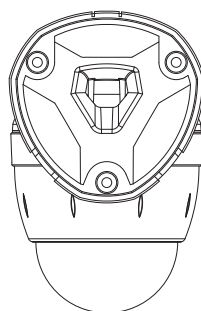
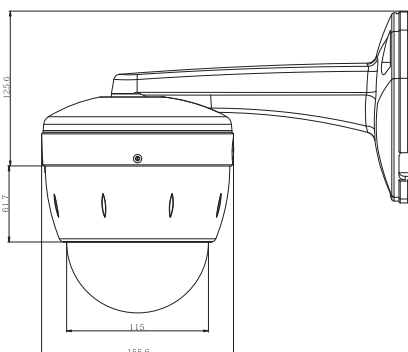
**ernitec**

The Orion Speed Dome series consist of 2 indoor and 3 outdoor versions. The cameras provide intelligent vision for any surveillance application. Their sharp images, high reliability and flexible mounting options make the Orion Speed Dome series ideally suited for retail stores, schools, industrial and public sites and locations where monitoring and surveillance is essential. All in all a cost-effective solution, that is easy to install and even easier to operate.

- Day/night and colour versions
- Digital Slow Shutter
- From 480 to 570 TVL
- Privacy zones (day/night versions)
- Wide Dynamic Range (Orion 23X-OPH and Orion 35X-OPH)
- Mechanical/electrical Auto-Flip (not Orion 22X-OPH)
- Support Pelco two ways protocol (not Orion 10X SCM1063)
- Image stabilizer (Orion 35X-OPH)
- Smooth Joystick response
- Optional Wall or Ceiling mount bracket



## Measurements Orion 10 x Zoom



# Orion Speed Dome Series

## Specifications

Model		10 x Zoom	22 x Zoom	23 x Zoom	35 x Zoom	
<b>Camera</b>	CCD Sensor	1/4 Super HAD		1/4" CCD		
	Video Signal System	PAL				
	Progressive Scan	yes	no	yes	yes	
	Pixels	752(H) 582(V) 440K				
	Horizontal res.	500 TVL colour, 570 TVL b&w	480 TVL	480 TVL	540 TVL	
	S/N Ratio	>50 dB (AGC Off)				
	Synchronization	no	internal/Linelock			
	Focal length	3.8-38mm F1.6-F3,8	4-88mm	3.6-82.8mm	F1.8, f=3,4-119mm	
	Min. illumination	0.7Lux Colour 0.02 Lux B&W	1 Lux	0.1 Lux, 0.01 Lux B&W	0.05 Lux (Color) / 0.01 Lux	
	Day/night	auto/ICR	no	auto/day/night (ICR)		
	Focus	auto/manual/semi auto				
	White balance	auto/manual				
	Iris	auto/manual				
	Shutter speed	1/50-120.000 sec	1/50-30K sec	1/1,5-1/30K sec		
AGC control	Normal/high/off	Auto/manual				
BLC	on/off					
<b>Pan/Tilt</b>	Range	Pan	360 (endless)			
		Tilt	90	-10-100	-10 - 190 degrees	
	Pan/Tilt	Preset	128	256		
		Speed	0.1.360/sec zoom propotional	5-400/s	5-400/s	5-400/s
	Accuracy	0.25	0,225	0,225	0.225	
<b>Operation</b>	Wide Dynamic Range	no	no	yes	yes	
	Motion detection	no	no	no	on/off	
	Digital Slow Shutter (DSS)	yes	no	on/off	on/off	
	Alarm in/out	4/2	8/1			
	Image freeze	yes	no	on/off	no	
	Electronic Image Stabilizer	no	no	no	on/off	
	Home function	yes	preset, auto-Pan, sequence, cruise			
	Proportional Pan/Tilt	yes	on/off Pan and Tilt speed is proportional to zoom ratio			
Built in protocol	Pelco P and D	ERNA, Pelco P&D, Pelco 2 Ways, JVC, Philips, AD-422, Dynacolor				
Multi langues	English	yes				
<b>General</b>	Weatherproof standard	no	no	IP66	IP66	
	Operating temperture	Indoor	Indoor	-50 - 50+	50 - 50+	
	Power consumption	Indoor	3.5W	20W	no	no
		Outdoor	no	65W with heater	65W with heater	65W with heater
	Power source	Indoor	12 VDC +/-10%	12VDC +/- 10%	no	no
		Outdoor	no	24VAC +/-10%	24VAC +/-10%	24VAC +/-10%
Weight	805 g	5.8 kg	5.8 kg	5.8 kg		
Dimension	ø115	Dome ø172x302,5 with unshild 190x302,5				
<b>Accessories</b>	System cable 2M / outdoor only	-	0017-05231			
	BED108 1IN 8Out RS485 Splitter	0043-07004				
	PTZ Keyboard Pelco P&D 3D joystick	0017-05230				
	PSU Outdoor 72VA	-	0017-05228			
	PSU Indoor 36VA	-	0017-05229	-	-	
	Coaxial box video and RS485 on one coax	0017-05227				
<b>Order info</b>	Outdoor	-	0017-05015	0017-05014	0017-05017	
	Indoor	0017-05110	0017-05016	-	-	

Your Video Surveillance Supplier

Ernitec Denmark  
Telefon: +45 44 50 33 00  
Fax: +45 44 50 33 33  
info@ernitec.dk

Ernitec UK  
Telefon: +44 (0) 1903 263 125  
Fax: +44 (0) 1903 263 126  
info@ernitec.co.uk

Ernitec France  
Telefon: +33 (0)4 67 15 10 15  
Fax: +33 (0)4 67 64 01 81  
info@ernitec.fr

Ernitec Germany  
Telefon: +49(0)(40) 6756250  
Fax: +49(0)(40) 67562525  
info@ernitec.de

