

# 17", 19", 22" and 26" Composite Monitors

**ernitec**

## Features

- 3D comb filter
- 3D de-interlace
- 3D decoder
- 3D noise reduction
- 2 Composite inputs with loop-through
- 1 VGA input
- 1 HDMI input
- Built-in loudspeakers



A17C1 / A19C1  
17" and 19" Monitors



A22A1W – 22" Monitor



A26A1W – 26" Monitor

# Specifications

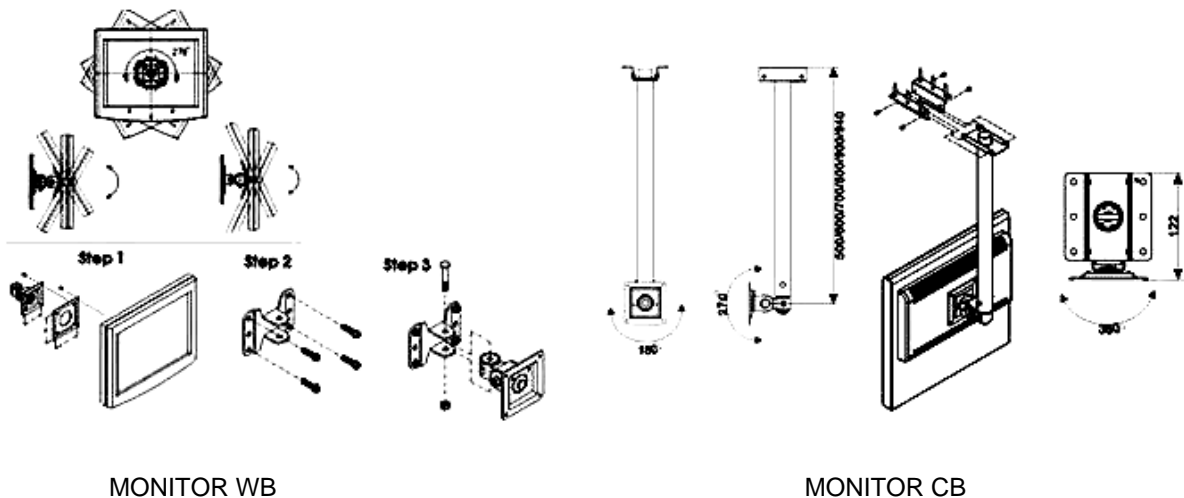
	A17C1	A19C1	A22A1W	A26A1W
<b>Display</b>				
Display type	17" Active Matrix TFT LCD Module	19" Active Matrix TFT LCD Module	22" Active Matrix TFT LCD Module	26" Active Matrix TFT LCD Module
Contrast	800:1		1000:1	2500:1
Resolution	1280 x 1024 (SXGA)		1680 x 1050	1366 x 768
Aspect ratio	4:3		16:9	
Response time	5 ms			6.5 ms
Display area (H x V)	337.9 x 270.3 mm	376.3 x 301.1 mm	473.6 x 296.1 mm	TBC
Pixel pitch (H x V)	0.264 x 0.264 mm	0.294 x 0.294 mm		0.421 x 0.421 mm
Brightness	300 cd/m <sup>2</sup>			450 cd/m <sup>2</sup>
Viewing angle	U/D 80° / 60° L/R 80° / 80°	U/D 75° / 75° L/R 80° / 80°	U/D 80° / 80° L/R 85° / 85°	U/D 89° / 89° L/R 89° / 89°
Horizontal resolution	500 TVL			
<b>Video inputs</b>				
Composite input	2 pcs, BNC, loop-through			
VGA Input	1 pc. 15pin HD Sub-D			
HDMI Input	1 pc.			
<b>Audio inputs</b>				
Audio inputs	1 pc. 3.5mm stereo jack, 2 pcs. phono			
Speakers	2.5W x 2			
<b>Operation</b>				
OSD Control	Picture mode, Contrast, Brightness, Colour, Tint, Sharpness, Colour temperature, Digital Noise Reduction			
OSD Language	English, German, French, Italian, Spanish, Russian, Turkish, Japanese, Polish			
Auto adjustment	Yes			
De-interlace	Yes			
<b>Environment</b>				
Chassis	Plastic			Metal
Supply voltage	100 – 240 VAC			
Power consumption, ON	Max. 35W		Max. 40W	TBC
Power consumption, Power saving mode	Max. 5W			TBC
Safety	CE, RoHS, UL/CUL, FCC-DOC			
Dimension, W x H x D (excl. stand)	400 x 370 x 320 mm	430 x 420 x 360 mm	505 x 330 x 430 mm	630 x 400 x 105 mm
Weight	5.0 kg	6.0 kg	7.0 kg	11 kg

## Accessories

There are two optional mounting brackets available for the monitors. These are a wall mount bracket, MONITOR WB, and a ceiling mount bracket, MONITOR CB.

## Specifications for accessories

	MONITOR WB	MONITOR CB
VESA Mount	Yes, 75x75x75 mm and 100x100x100 mm	
Swivel left and right	180°	360°
Pivot	180°	135°
LCD Monitor rotation	270°	180°
Pole rotation	N/A	180°
Adjustable length	N/A	500/600/700/800/900/940 mm
Pole diameter	N/A	30 mm
Max. load	15 kg	
Weight	0.5 kg	2.6 kg



MONITOR WB

MONITOR CB

## Ordering information

Product name	Order number	Description
MONITOR A17C1	0081-000xx	17" Monitor with composite, VGA and HDMI
MONITOR A19C1	0081-00020	19" Monitor with composite, VGA and HDMI
MONITOR A22A1W	0081-000yy	22" 16:9 Monitor with composite, VGA and HDMI
MONITOR A26A1W	0081-000zz	26" 16:9 Monitor with composite, VGA and HDMI
MONITOR WB	0081-01001	VESA Wall mount bracket for monitor
MONITOR CB	0081-01002	VESA Ceiling mount bracket for monitor

All data subject to change without notice.



### Denmark Head Office

Ernitec A/S  
Hørkær 24  
2730 Herlev  
Denmark  
Phone: +45 44 50 33 00  
Fax: +45 44 50 33 33  
info@ernitec.dk  
www.ernitec.com

### French Branch Office

Ernitec France  
N° 29 Parc Club du Millenaire  
1025 Rue Henri Becquerel  
34036 Montpellier cedex 1  
France  
Phone: +33 (0)467 151 015  
Fax: +33 (0)467 640 181  
info@ernitec.fr  
www.ernitec.com

### German Branch Office

Ernitec GmbH  
Stormarnring 28  
22145 Stapelfeld  
Germany  
Phone: +49(0)(40)6756250  
Fax: +49(0)(40)67562525  
info@ernitec.de  
www.ernitec.com

### UK Branch Office

Ernitec UK  
Columbia House  
Columbia Drive  
Worthing  
West Sussex BN13 3HD  
UK  
Phone: +44 (0)1903263125  
Fax: +44 (0)1903263126  
info@ernitec.co.uk  
www.ernitec.com